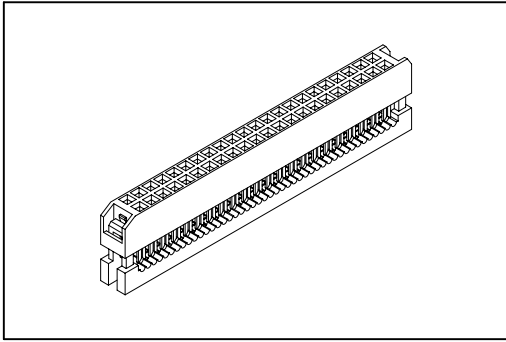


# 1101 Series

I.D.C. Socket 2.0mmX2.0mm(0.079"X0.079")



## Material:

Housing: 30% Glass Filled PBT UL94V-0.

Contacts: Phosphor Bronze.

Cable: 1.00mm(0.039") pitch flat cable.

## Electrical Characteristics:

Current Rating: 1 A.

Dielectric Withstanding Voltage: AC 500V.

Insulator Resistance: 1000MΩ min.

Contact Resistance: 20mΩ max.

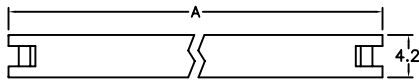
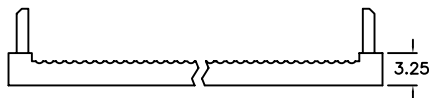
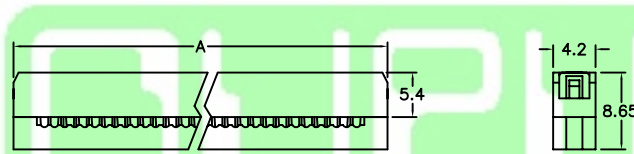
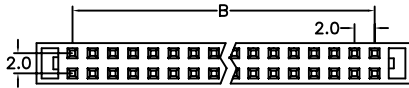
Operating Temperature: -55°C~+105°C.

## Features:

\* Black insulator.

\* Optional polarizing bump

Mates with: 2111,2112,2113,2114,2115,3112.



Position	Dimension	
	A	B
10	15.25	8
14	19.25	12
16	21.25	14
18	23.25	16
20	25.25	18
22	27.25	20
24	29.25	22
26	31.25	24
30	35.25	28
34	39.25	32
40	45.25	38
44	49.25	42
50	55.25	48
60	65.25	58
66	73.25	66

## Ordering information

1101-

Series

10

No. of  
Pin Count

C

C: Selective Gold Plated

00

00: G/F

B

B: Black

1

1: With Strain Relief  
2: Without Strain Relief

A

A: Tray Package

\* 1101-10 CB2WB Suffix WB to Identify With Polarizing Bump, Maybe Subject to Min Qty.