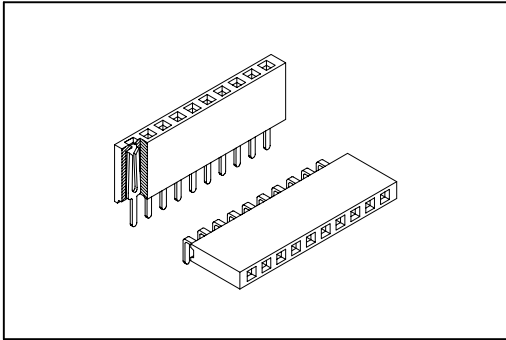


# 2044 Series

## P.C.B. Socket 2.54mm(0.100")



### Material:

Housing: 30% Glass Filled PBT UL94V-0.

Contacts: Phosphor Bronze.

### Electrical Characteristics:

Current Rating: 2 A.

Dielectric Withstanding Voltage: AC 1000V.

Insulator Resistance: 1000MΩ min.

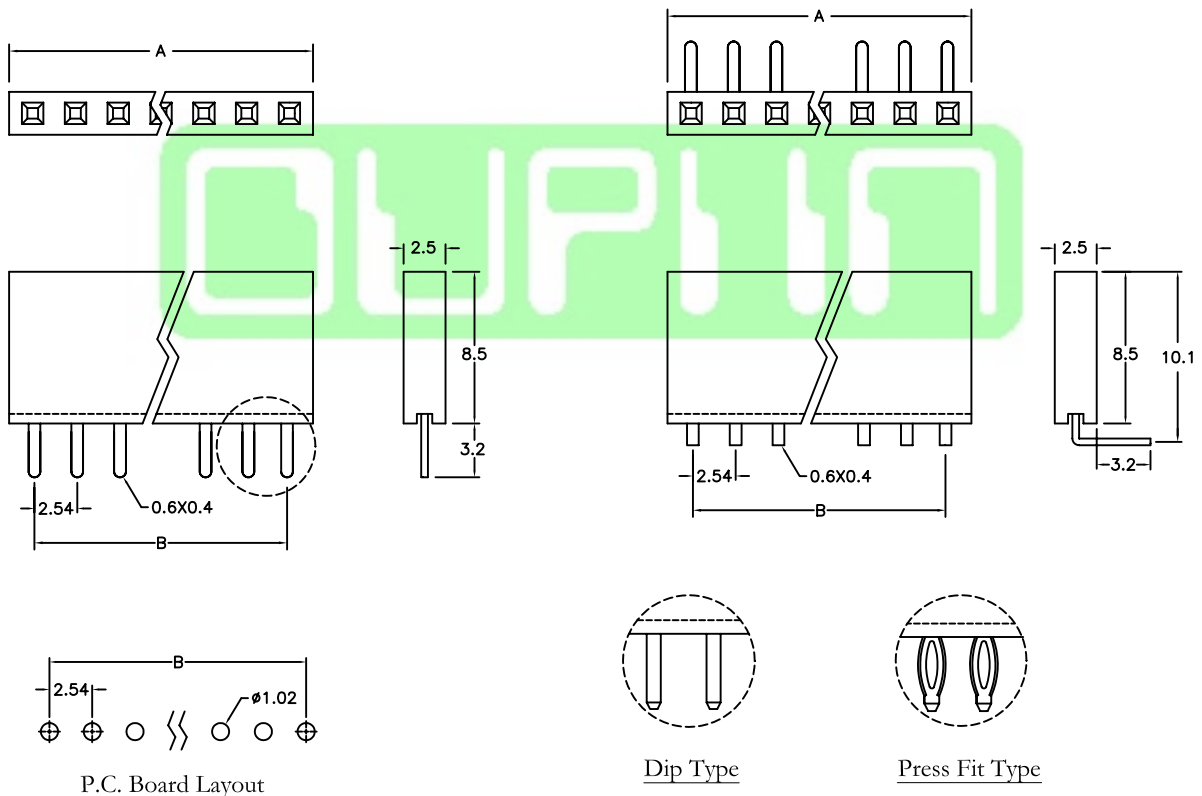
Contact Resistance: 20mΩ max.

Operating Temperature: -55°C~+105°C.

### Features:

- \* Available in Straight , Right Angle & Press Fit.
- \* High profile 8.50mm (0.335").
- \* Mates with 0.64mm (0.025") square pin.
- \* Turning fork contacts offer lower cost for competitive market.

Mates with: 2011,2012,2015.



Position Dimension	2 Thru 40
A	2.54 X No. of Positions +0.4
B	2.54 X No. of Positions -2.54

## Ordering information

**2044-** Series   
**1** Single Row   
**X** No. of Pin Per Row   
**40**   
**G** G: Gold Plated    T: Tin Plated   
**00** 00: G/F   
**S** S: Straight    R: Right Angle   
**P** Blank: Dip Type    P: Press Fit Type   
**A** A: Tray Package    B: Bulk Package