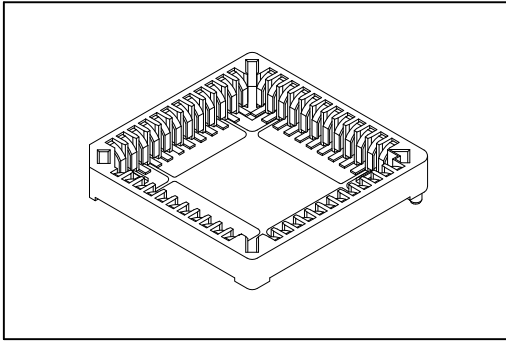


5203 Series

P.L.C.C. Socket S.M.D. Type



Material:

Housing: High Temperature Plastic UL94V-0. withstands IR and VPR soldering methods.

Contacts: Phosphor Bronze.

Electrical Characteristics:

Current Rating: 1 A.

Dielectric Withstanding Voltage: AC 500V.

Insulator Resistance: 1000M Ω min.

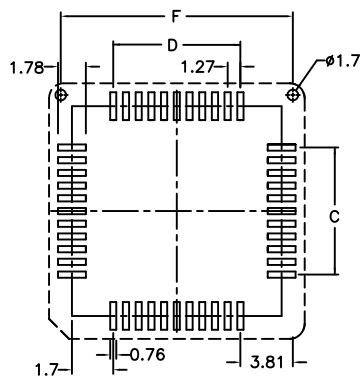
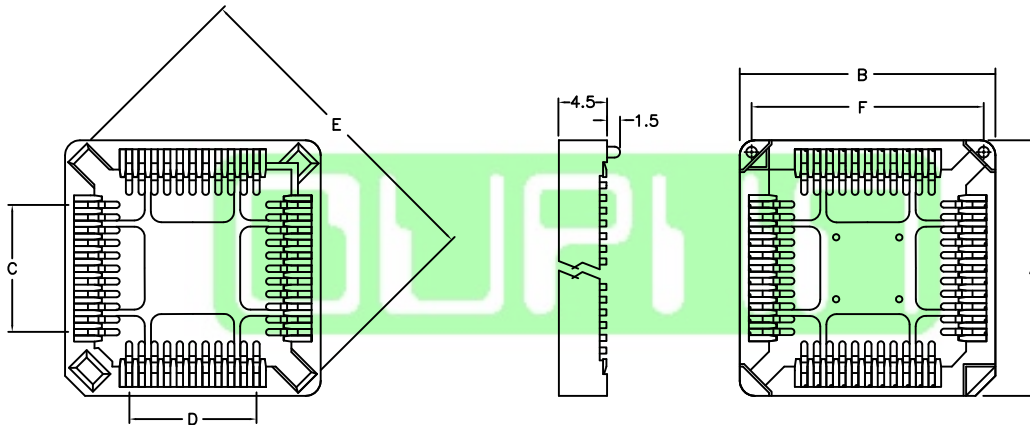
Contact Resistance: 20m Ω max.

Operating Temperature: -55°C~+105°C.

Capacitance: 1.0pF max between adjacent contacts.

Features:

- * Surface mount.
- * Hi-Temp plastic (PPS).
- * Low profile 4.46mm(0.176") height.
- * Accept chip carriers conforming to JEDEC spec.



P.C. Board Layout

Position	Dimension					
	A	B	C	D	E	F
20	15.24	15.24	5.08	5.08	16.70	12.70
28	17.78	17.78	7.62	7.62	20.30	15.24
32	18.20	20.74	7.62	10.16	22.76	17.78
44	23.28	23.28	12.70	12.70	28.05	20.32
52	25.82	25.82	15.24	15.24	31.10	22.86
68	30.82	30.82	20.32	20.32	38.30	27.94
84	35.90	35.90	25.40	25.40	45.50	33.02

Ordering information

5203-
Series

84
No. of
Pin Count

T
T: Tin Plated

D
D: SMD Type

P
P: With Post
N: Without Post

U
U: Tube Package
T: Tape & Reel Package

* Extraction tool (5203-Tool) Available.