

No. of Positions	No. of Contacts	Dimensions m/m		
		A	B	C
4	4	13.50	11.10	7.62
6	2/4/6	15.60	13.20	10.16
8	6/8	17.60	15.20	11.43

**MATERIAL:**

**HOUSING:** 15% glass filled PBT UL94V0  
standard color: Black

**CONTACT:** 1.0.46m/m diameter phosphor  
bronze alloy Gold plating  
over Nickel.

2.0.35m/m thickness phosphor  
bronze alloy. Gold plating  
over Nickel on contact area.  
Tin plating over Nickel on  
tail area.

**ORDERING INFORMATION**

650-  P-  C-  -  

a b c d

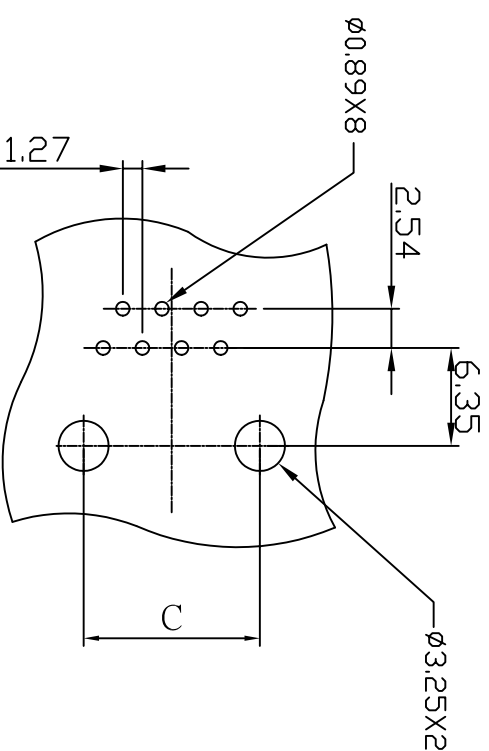
- a: No. of position (4, 6, 8)
- b: No. of contact (2, 4, 6, 8)
- c: Plating 6u" 15u" 30u" 50u"
- d: Option



K: With keyway (8p only)



N: No flangestop



LAYOUT/TOP VIEW



請 僥 企 業 有 限 公 司  
MORE JACKS  
ENTERPRISE CO., LTD.

**TITLE:** P. C. B. MOUNT MODULAR JACK  
SIDE ENTRY  
**MODEL NO.:** 650-SERIES

**UNIT:** mm  
DSGN Neo

**SCALE:** 2:1  
CHK

REV A

**DATE:** 2003.02.27  
APPR