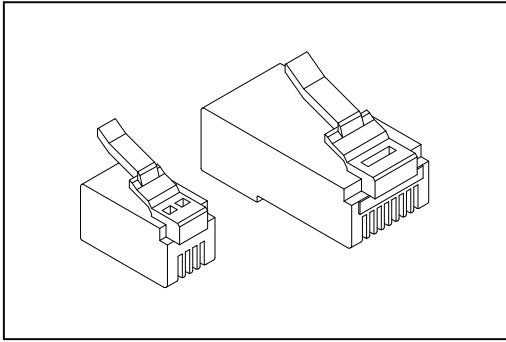


8949-A Series Modular Plug



Material:

Housing: Polycarbonate UL94V-2.

Contacts: Phosphor Bronze.

Plating: Gold plated on contact area over Nickel.

Electrical Characteristics:

Current Rating: 1.5 A.

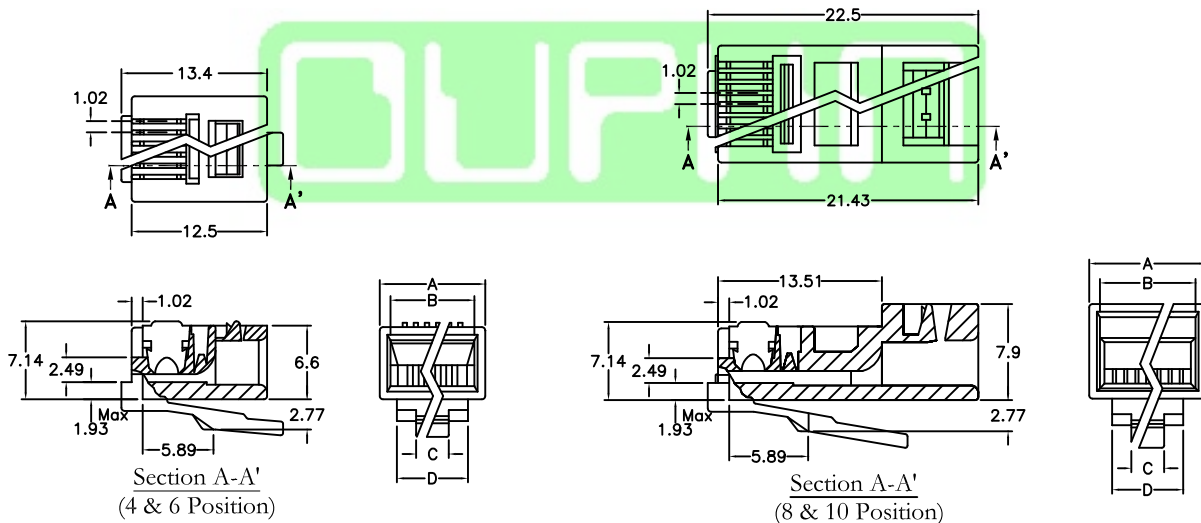
Insulator Resistance: 1000M Ω min.

Contact Resistance: 30m Ω max.

Operating Temperature: -40°C ~ +85°C.

Features:

- * 50 μ g gold meets FCC 68 requirements.
- * Available in 4, 6, 8, 10 position housing.
- * Industry compatible profiles and foot prints.
- * Available in selective loading.
- * Contact pre-loaded and self aligned.



No. of Position	No. of Contacts	Dimensions			
		A	B	C	D
4	4	7.65	5.2	2.50	5.00
6	2	9.65	5.2	3.25	6.10
6	4	9.65	5.2	3.25	6.10
6	6	9.65	7.1	3.25	6.10
8	8	11.66	8.2	3.30	6.10
10	10	11.66	8.2	3.30	6.10

Ordering information

8949-A

Series

10

10: 10 Position

8: 8 Position

6: 6 Position

4: 4 Position

10

10: 10 Contacts

8: 8 Contacts

6: 6 Contacts

4: 4 Contacts

2: 2 Contacts

/06

06: 06 μ g Gold Plated

15: 15 μ g Gold Plated

30: 30 μ g Gold Plated

50: 50 μ g Gold Plated

B

B: Bulk Package