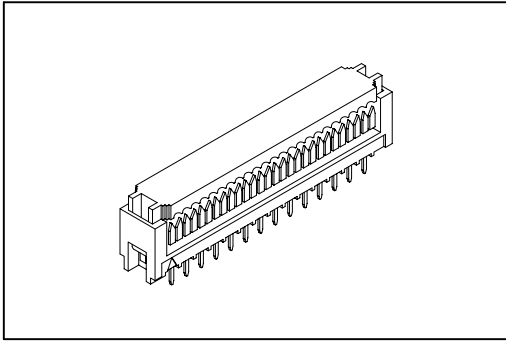


6011 Series

Transition Plug 2.54mmX2.54mm(0.100"X0.100")



Material:

Housing: 30% Glass Filled PBT UL94V-0.

Contacts: Phosphor Bronze.

Cable: 1.27mm(0.050") pitch flat cable.

Electrical Characteristics:

Current Rating: 1 A.

Dielectric Withstanding Voltage: AC 500V.

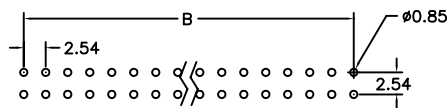
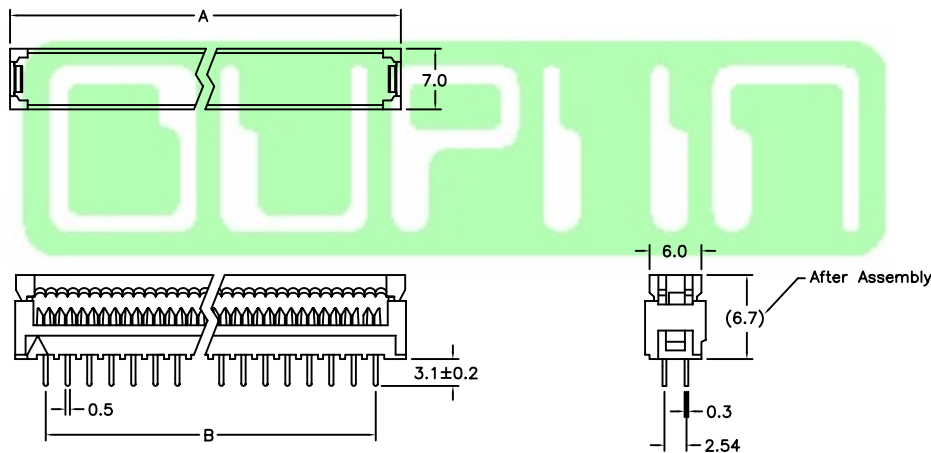
Insulator Resistance: 1000M Ω min.

Contact Resistance: 20m Ω max.

Operating Temperature: -55°C~+105°C.

Features:

- * Fast connection of flat cable to PC board.
- * Recommended 28AWG 1.27mm(0.05") flat cable.
- * Plug directly into 2.54mmX2.54mm PC board.



P.C. Board Layout

Position	Dimension	
	A	B
10	17.18	10.16
14	22.26	15.24
16	24.80	17.78
20	29.88	22.86
26	37.50	30.48
30	42.58	35.56
32	45.12	38.10
34	47.66	40.64
40	55.28	48.26
50	67.98	60.96
60	80.68	73.66
64	85.76	78.74

Ordering Information

6011- Series
60 No. of Pin Count
C T: Tin Plated
 G: Gold Plated
 C: Selective Gold Plated
00 00: G/F
B B: Black
 Y: Grey
A A: Tray Package