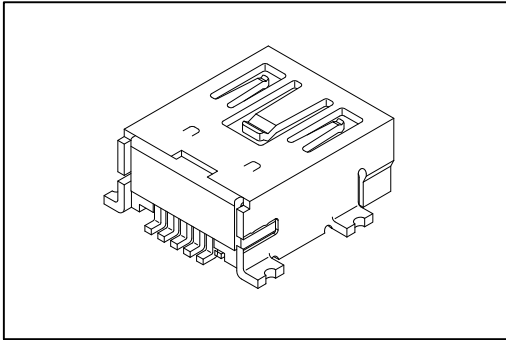


8969 Series

Mini USB B Type 5P SMD Female



Material:

Housing: High Temperature Plastic UL94V-0.

Contacts: Phosphor Bronze

Shell: Brass.

Electrical Characteristics:

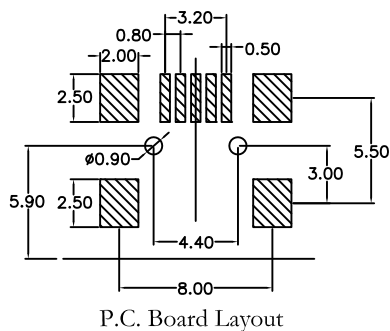
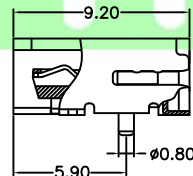
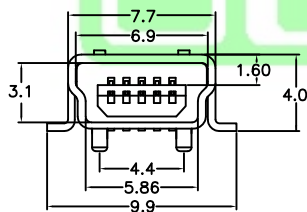
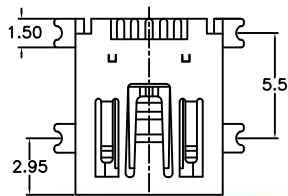
Current Rating: 1 A.

Dielectric Withstanding Voltage: AC 100V.

Insulator Resistance: 100M Ω min.

Contact Resistance: 50m Ω max.

Operating Temperature: -20°C ~ +85°C.



Ordering information

8969-B

Series

05

Position

C

C: Selective Gold Plated

00

00: G/F
30: 30 μ "

D

D: SMD Type

B

B: Black

U

U: Tube Package
T: Tape & Reel
Package