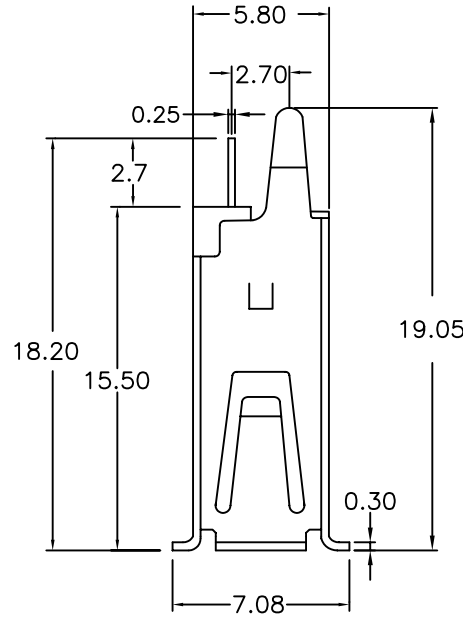
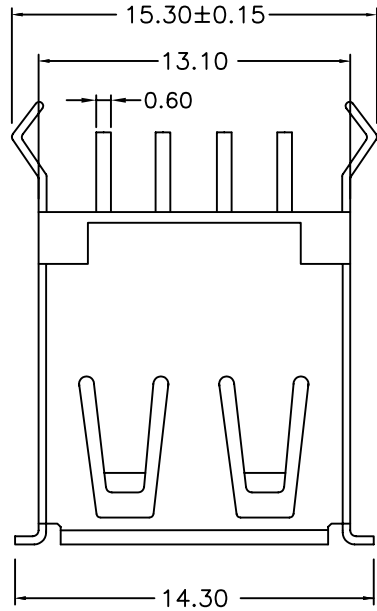


REV.	SPECIFICATION	ECN NO.	APPD.



**Material:**

Housing: 30% Glass Filled PBT UL94V-0.

Contacts: Phosphor Bronze.

Shell: Brass.

**Electrical Characteristics:**

Current Rating: 1 AMP.

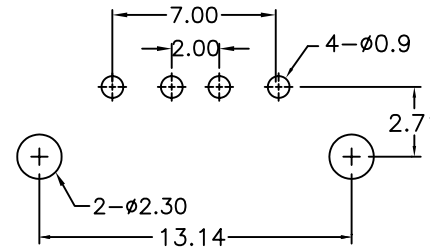
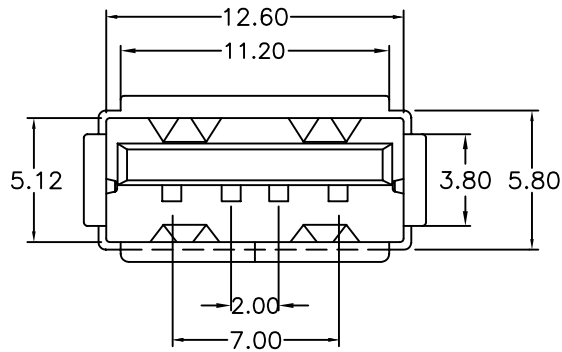
Dielectric Withstanding Voltage: AC 500V For 1 minute.

Insulator Resistance: 500MΩ min. at DC 500V.

Contact Resistance: 30mΩ max. at DC 100mA.

Operating Temperature: -40°C~+105°C.

**\*RoHS Compliant**



P.C. Board Layout

8968-A 04 C 00 S X A  
 Series Position C: Selective 00: G/F Straight Type W: White PBT A: Tray Package  
 Gold Plated 30: 30μ"

<b>Tolerances</b>	<b>Drawn No.</b>	8968D00020		<b>Title:</b>		<b>OUPIN</b> OUPIN ELECTRONIC(KUNSHAN) CO., LTD.			
x = ±0.25	<b>Projection</b>	⊕ ◀		8968 Series					
.x = ±0.20	<b>Unit</b> mm	<b>Scale</b>	1:1	USB A Vertical					
.xx = ±0.15	<b>Drawn By</b>	Liling	11/13'07	①785	Female Type				
						<b>SHEET</b>	1/1	<b>Ver.No.</b>	A5