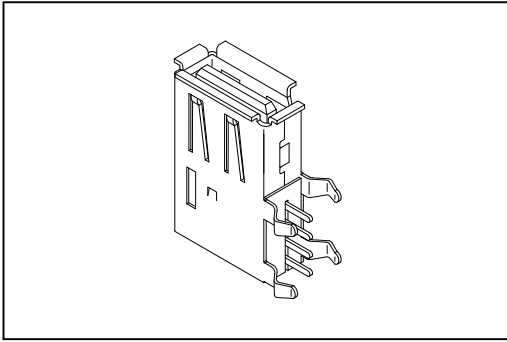


8968 Series

USB A Type Upright Type



Material:

Housing: 30% Glass Filled PBT UL94V-0.

Contacts: Phosphor Bronze.

Shell: Brass.

Electrical Characteristics:

Current Rating: 1 A.

Dielectric Withstanding Voltage: AC 500V.

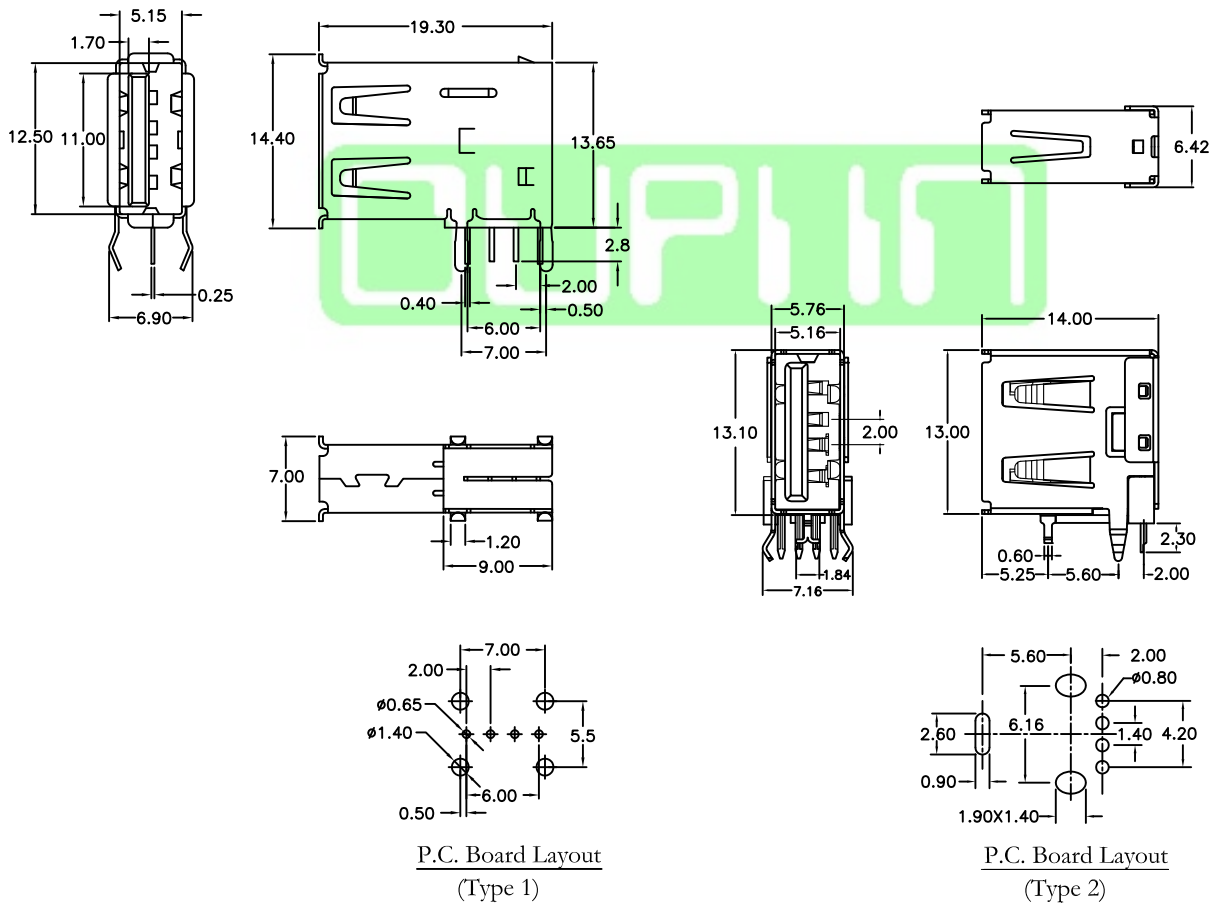
Insulator Resistance: 500M Ω min.

Contact Resistance: 30m Ω max.

Operating Temperature: -40°C~+105°C.

Features:

- * Compact and low profile design for saving space.
- * High reliable contact with low insertion force.
- * Straight and right angle type facilitate engineering design.



Ordering information

<u>8968-A</u>	<u>04</u>	<u>C</u>	<u>00</u>	<u>UR</u>	<u>W</u>	<u>1</u>	<u>A</u>
Series	Position	C: Selective Gold Plated	00: G/F 30: 30 μ "	UR: Upright	W: White	1: Type 1 2: Type 2	A: Tray Package