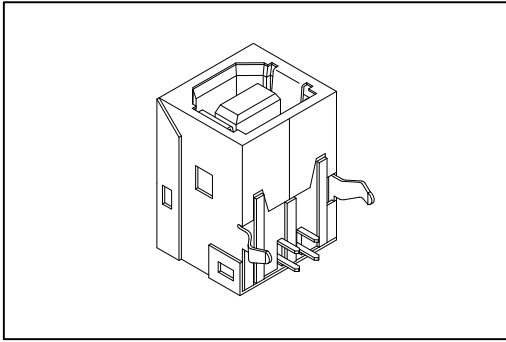


8968 Series

USB B Type



Material:

Housing: 30% Glass Filled PBT UL94V-0(Black).
Nylon 66 Flame Retardant UL94V-0.

Contacts: Brass.

Shell: Brass.

Electrical Characteristics:

Current Rating: 1 A.

Dielectric Withstanding Voltage: AC 500V.

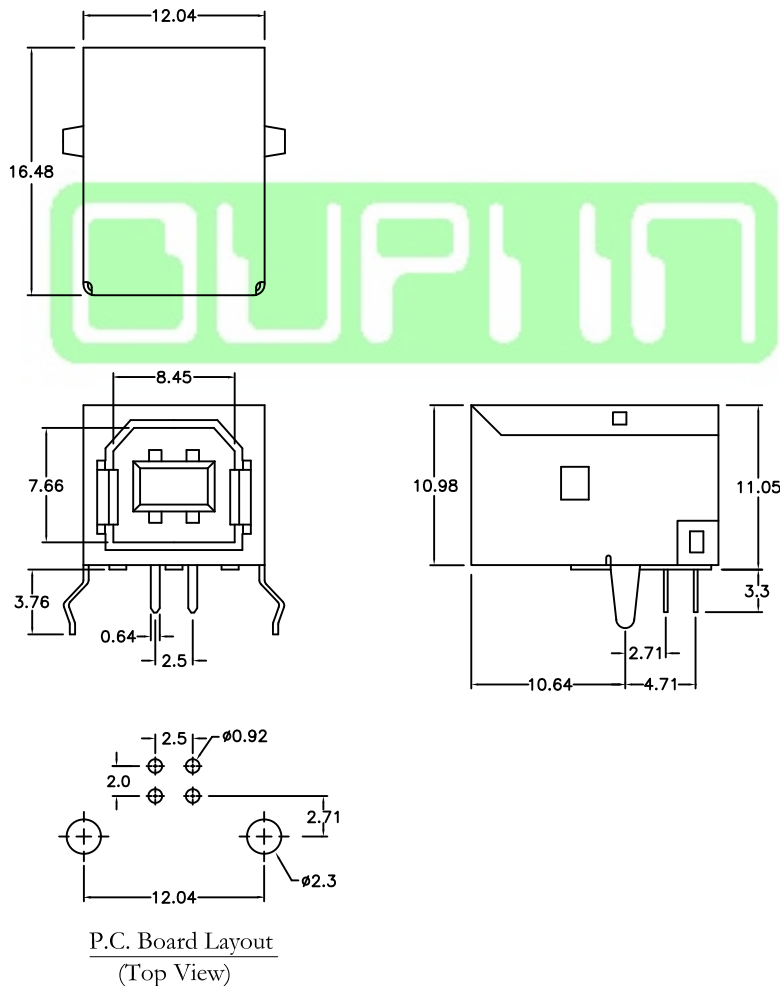
Insulator Resistance: 500M Ω min.

Contact Resistance: 30m Ω max.

Operating Temperature: -40°C~+105°C.

Features:

- * Compact and low profile design for saving space.
- * High reliable contact with low insertion force.
- * Straight and right angle type facilitate engineering design.



Ordering information

8968-B	04	C	00	R	W	A
Series	Position	C: Selective Gold Plated	00: G/F 30: 30 μ "	R: Right Angle	W: White B: Black	A: Tray Package