

## The product advantages



The unique, patented hinged catch has two functions:

- Fast, easy, toolless fitting of the lid
- Swivel the lid open – your choice of hinge side



On request, the enclosures can also be screwed. The hinged catch conceals the screws.

Bocube has very few parts, so it is very light and easy to mount – toolless. Use a size 3 slotted-head screwdriver to open it.



The enclosures in 2 basic colours – optionally with a transparent lid – can be combined with coloured hinged catches as required. Alternatively, manually-operated catches are available.



The blanking plug allows selection of the side to be hinged. In this way, connections between the base and the lid can be protected against damage when the lid is opened.



**Quick-Finder:**  
[www.bopla.de/96](http://www.bopla.de/96)

## Examples of use





**BOPLA**

A Phoenix Mecano Company

# Bocube

Industry



## Colour:

- Light grey, similar to RAL 7035
- Graphite grey, similar to RAL 7024

Special colours on request

## Protection class:

IP66 / IP68 (1.2 m - 2 h) DIN EN 60529

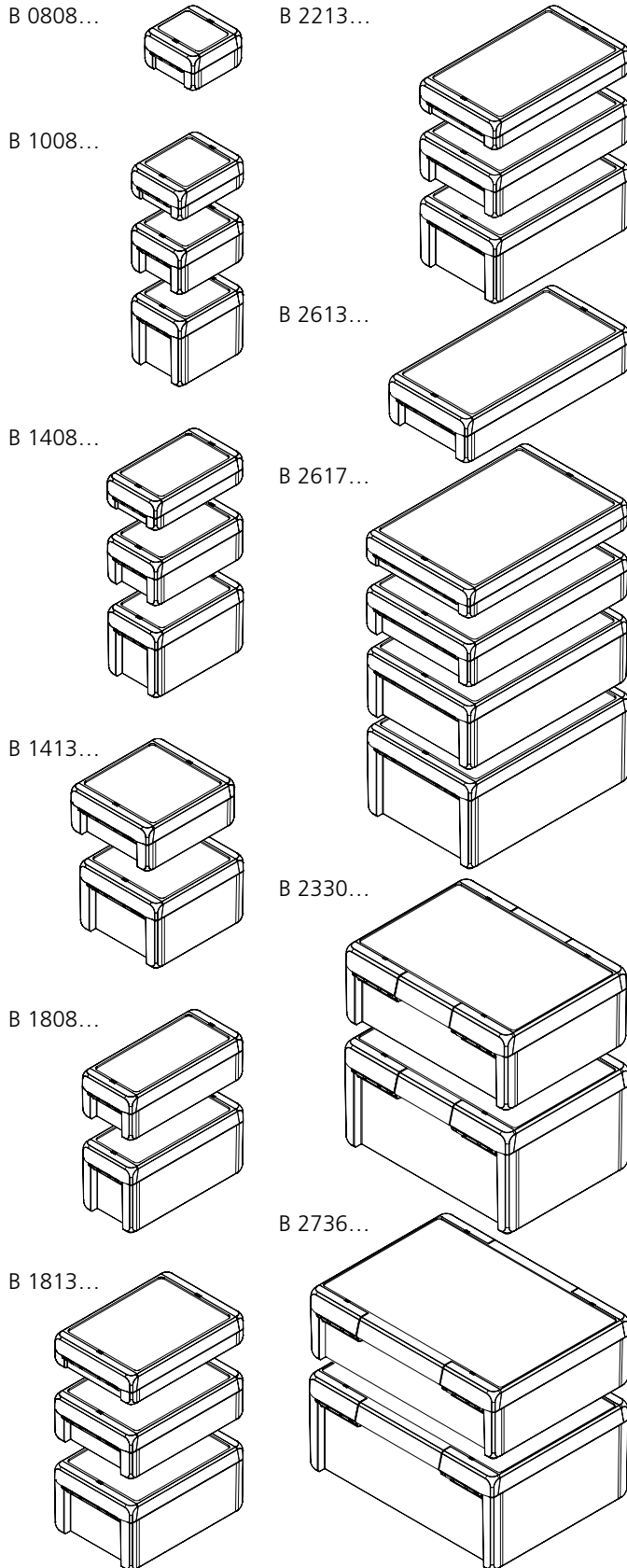
## Material:

Enclosure: ABS or PC V-0  
(material is suitable for outdoor use;  
f1-listing according to UL 746C)  
Seal: PU foamed

For details see technical information.



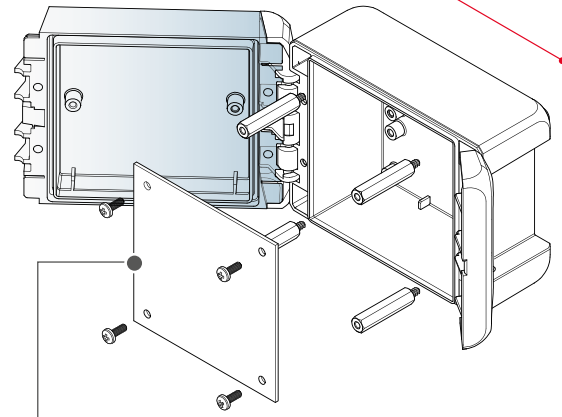
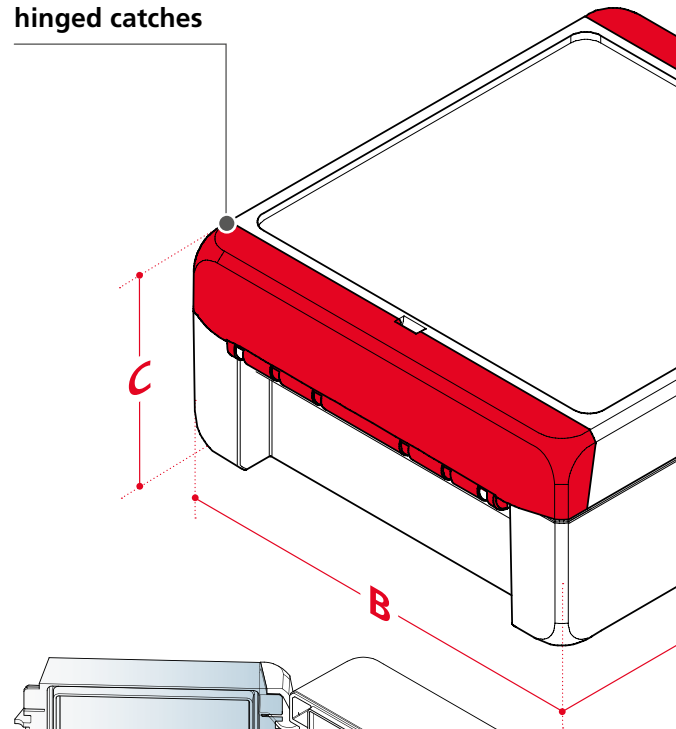
## Enclosure sizes



## Design types



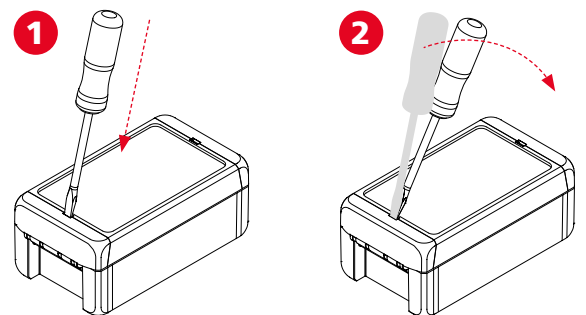
Coloured  
hinged catches



### Front panels

or PCBs can be mounted in the base and in the lid.

### Easy opening of the hinge



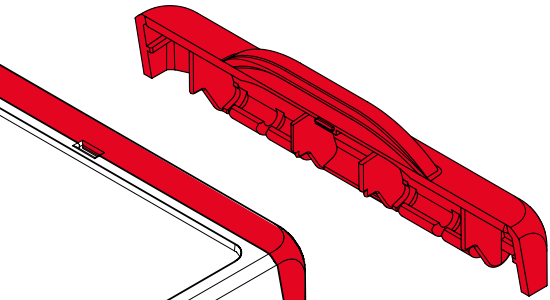


**BOPLA**

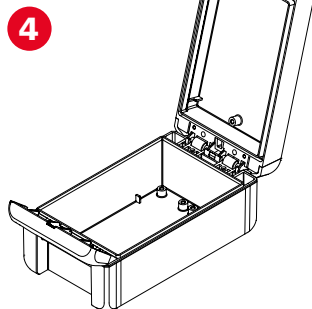
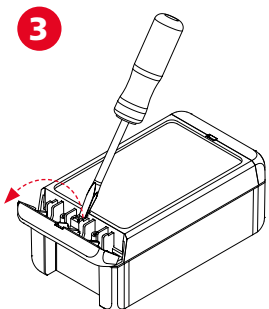
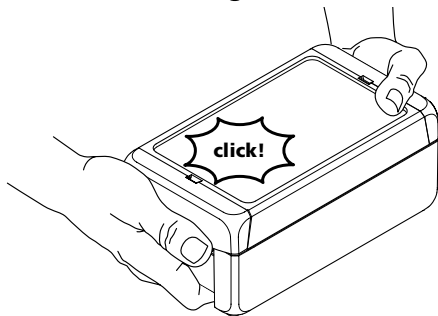
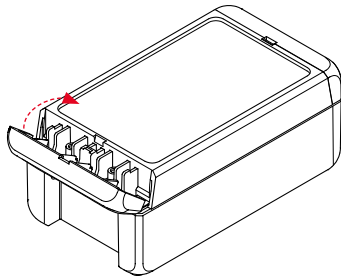
A Phoenix Mecano Company

# Bocube

Hinged catch for manual operation



Manual closing



## Dimensions

Model	A	B	C
B 0808...	89	80	47
B 1008...	113	80	40 / 60 / 90
B 1408...	151	80	40 / 60 / 90
B 1413...	151	125	60 / 90
B 1808...	191	80	60 / 90
B 1813...	191	125	40 / 60 / 90
B 2213...	231	125	40 / 60 / 90
B 2613...	271	125	60
B 2617...	271	170	40 / 60 / 90 / 120
B 2330...	239	300	120 / 160
B 2736...	284	364	120 / 160

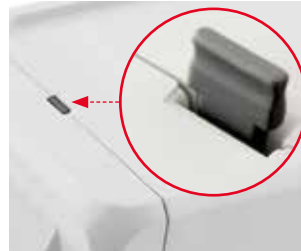
## Accessories



Wall brackets



Pressure compensation membrane DAE



Blank plug to determine the hinge side



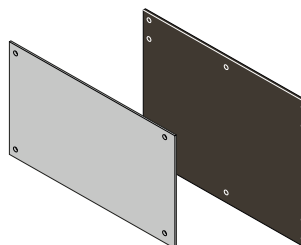
Distance bolt



DIN rails  
TH 15, G 32, TH 35



Mast mounting



Front and mounting panels in different versions

## The product advantages



Euromas II represents not only visually an alternative to the classic EUROMAS industrial enclosure. Special attention was paid to the numerous mounting opportunities for PCBs and keypads.



The F-versions have a recessed surface in the lid for the flush mounting of membrane keypads.



Fixing domes for PCBs are available not only in the base but also in the lid.



Depending on the model, the bases are equipped with additional specially matched fixings for DIN rails or integrated clamp profiles.



The LP versions are available for the vertical mounting of PCBs.



**Quick-Finder:**  
[www.bopla.de/62](http://www.bopla.de/62)

### Examples of use





**BOPLA**

A Phoenix Mecano Company

# Euromas II

Industry



### Colour:

● Light grey, similar to RAL 7035

Special colours on request

### Protection class:

IP65 / DIN EN 60529

### Material:

Enclosure: ABS or PC (UV stabilized)

Seal: CR

For details see technical information.





## Enclosure sizes

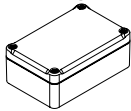
EM / ET 205



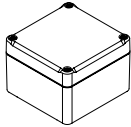
EM / ET 206



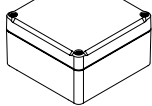
EM / ET 208



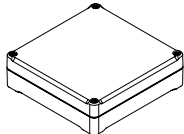
EM / ET 210



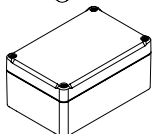
EM / ET 212



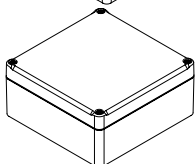
EM / ET 213



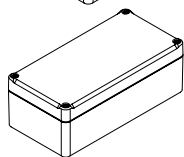
EM / ET 215



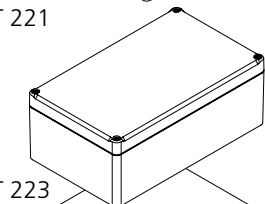
EM / ET 217



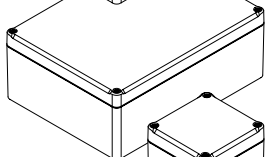
EM / ET 220



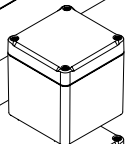
EM / ET 221



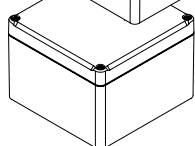
EM / ET 223



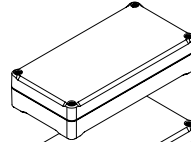
EM / ET 225



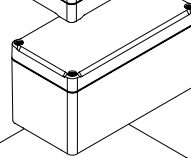
EM / ET 227



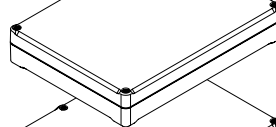
EM / ET 229



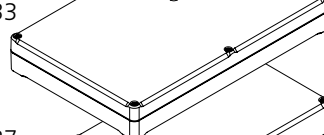
EM / ET 231



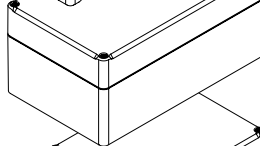
EM / ET 232



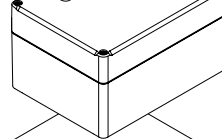
EM / ET 233



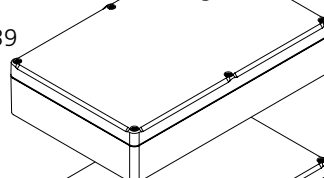
EM / ET 237



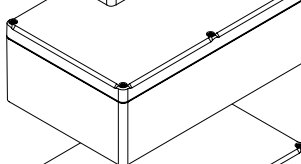
EM / ET 238



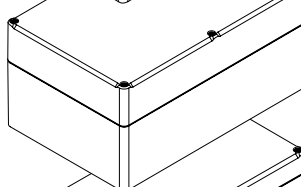
EM / ET 239



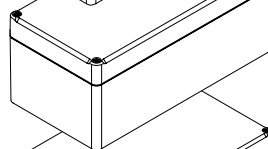
EM / ET 240



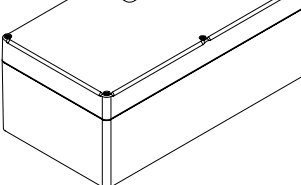
EM / ET 241



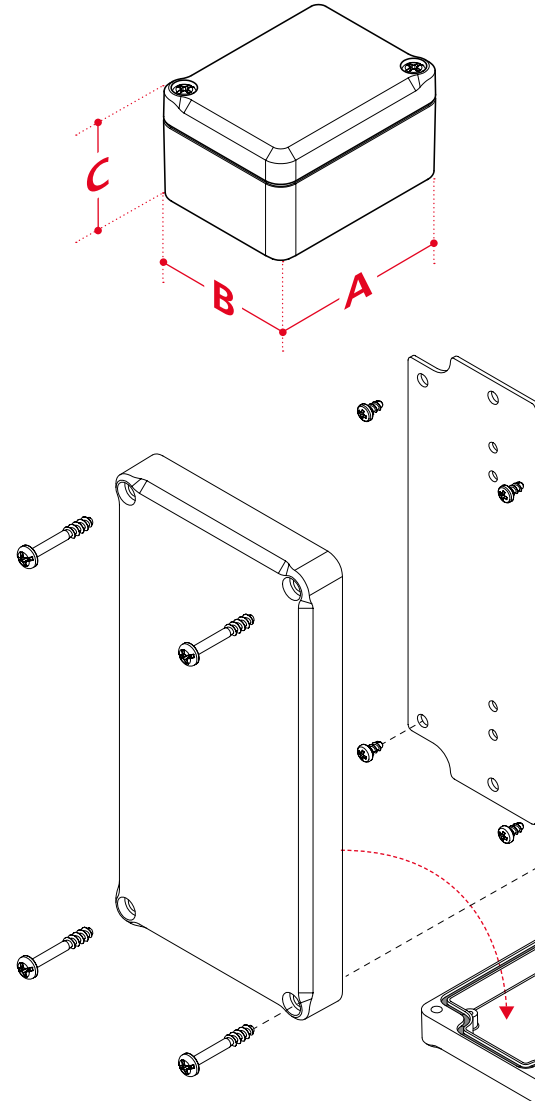
EM / ET 242



EM / ET 247

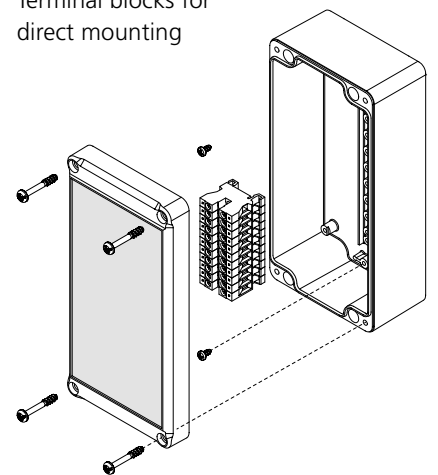


## Design types



### Integrated row of domes

Terminal blocks for direct mounting





**BOPLA**

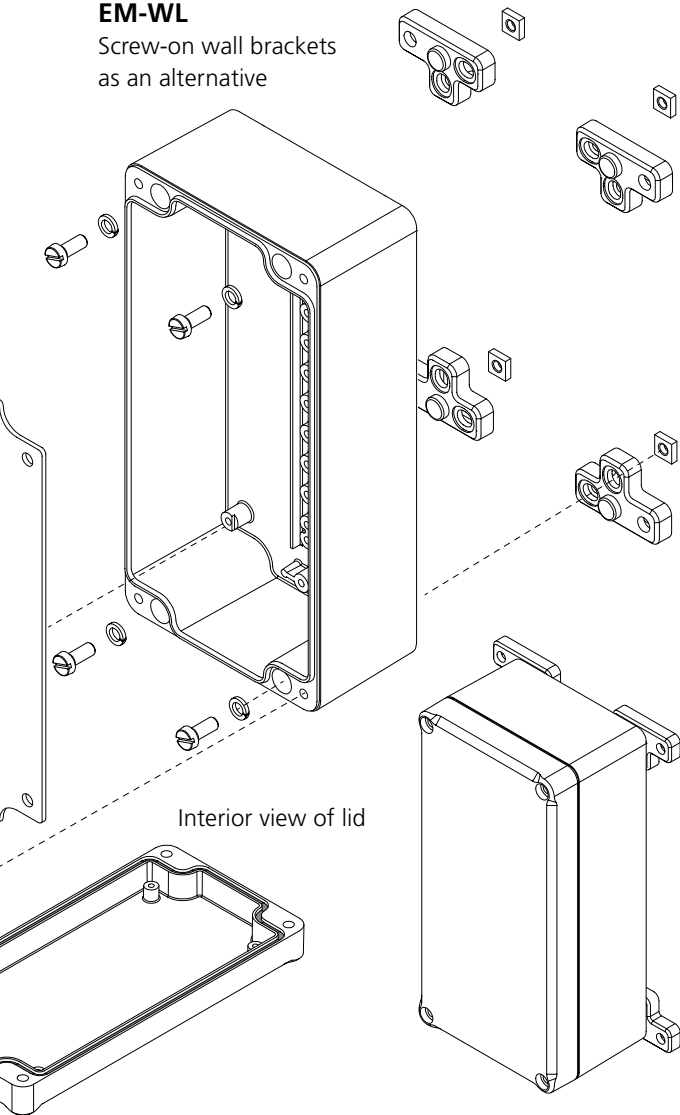
A Phoenix Mecano Company

Industry

# Euromas II

## EM-WL

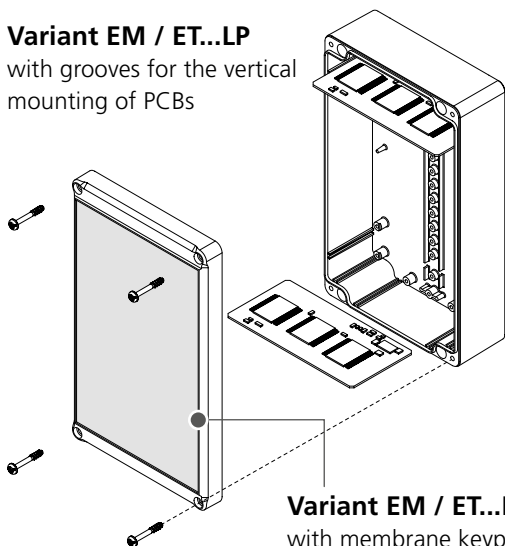
Screw-on wall brackets as an alternative



Interior view of lid

## Variant EM / ET...LP

with grooves for the vertical mounting of PCBs



## Variant EM / ET...F

with membrane keypad edge

## Dimensions

Model	A	B	C	F	LP	F+LP
EM / ET 205	74	50	37	✓		
EM / ET 206	65	50	37	✓		
EM / ET 207	82	60	57		✓	✓
EM / ET 208	98	64	38	✓		
EM / ET 210	82	80	57	✓		
EM / ET 212	100	100	57	✓		
EM / ET 213	122	120	37	✓		
EM / ET 214	200	120	57		✓	✓
EM / ET 215	120	80	57	✓		
EM / ET 217	122	120	57	✓		
EM / ET 218	150	150	57		✓	✓
EM / ET 220	160	80	57	✓		
EM / ET 221	200	120	77	✓		
EM / ET 223	200	150	77	✓		
EM / ET 224	240	80	60		✓	✓
EM / ET 225	82	80	87	✓		
EM / ET 227	122	120	87	✓		
EM / ET 229	160	80	37	✓		
EM / ET 231	160	80	87	✓		
EM / ET 232	200	150	37	✓		
EM / ET 233	250	160	37	✓		
EM / ET 236	240	80	80		✓	✓
EM / ET 237	200	120	92	✓		
EM / ET 238	160	120	92	✓		
EM / ET 239	250	160	57	✓		
EM / ET 240	250	160	92	✓		
EM / ET 241	250	160	122	✓		
EM / ET 242	240	120	102	✓		
EM / ET 247	300	160	120		✓	✓

EM-F / ET-F versions: because of the membrane keypad edge on the lid, dimension C is 1 mm higher.

## Accessories



Rubber feet



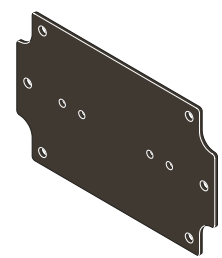
Screw covers



DIN rails  
TH 15, G 32, TH 35



Mast mounting



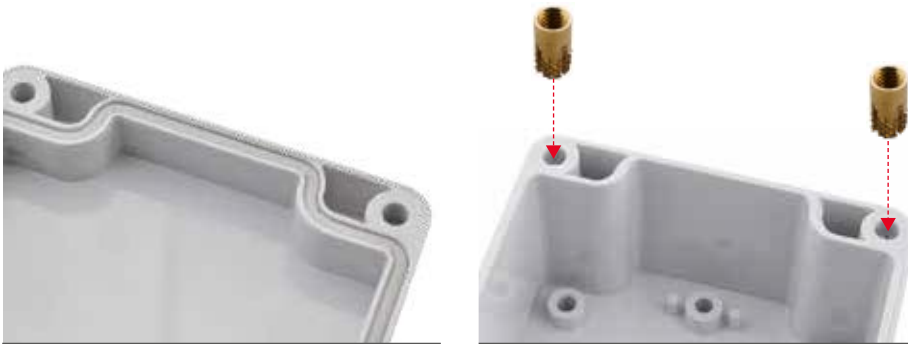
Mounting panels in different versions



## The product advantages

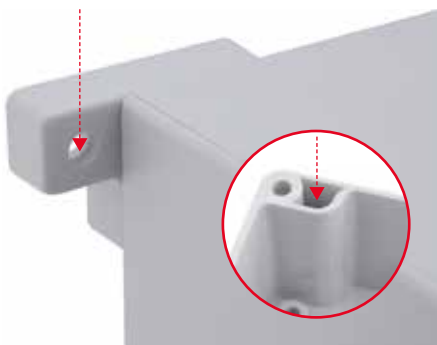


Euromas is a classic industrial enclosure which is available in three different material variants: ABS, polycarbonate and polycarbonate with UL 94 V-0 flame protection. A transparent cover allows a view into the enclosure.



The factory-fitted round cord seal can be replaced by a silicone seal with greater temperature resistance. Depending on the type, a higher protection class can also be achieved by using a moulded-in PU seal.

The lid screws – secured against falling out – are screwed into high-quality threaded bushings. No thread wear even when the enclosure is opened multiple times.



The enclosure can be fitted to the wall by means of the screw channels in the base or wall brackets.



Special versions with an F05 mounting flange in antistatic Vestamid plastic for applications on actuators and valves



**Quick-Finder:**  
[www.bopla.de/02](http://www.bopla.de/02)

### Examples of use



# Euromas ABS | PC | F05



## Colour:

- Light grey, similar to RAL 7035
- V 215: Black, similar to RAL 9005

Special colours on request

## Protection class:

Depending on the model IP65 or IP66 / DIN EN 60529  
IP68 (1.2 m- 2 h) on request from some sizes possible

## Material:

Enclosure: ABS or PC (UV-stabilisiert) such as selected sizes in PC UL 94 V-0 (other UL 94 V-0 versions on request)  
V215: Vestamid  
Seal: CR

For details see technical information.



## Enclosure sizes

M / T 205  
M / T 206



M / T 208



M / T 210  
M / T 215  
M / T 216



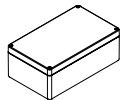
M / T 217



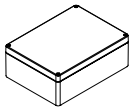
M / T 219  
M / T 220



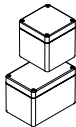
M / T 221



M / T 223



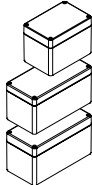
M / T 225  
M / T 226



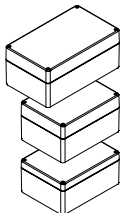
M / T 227  
M / T 228



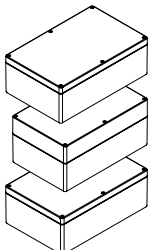
M / T 230  
M / T 231  
M / T 235



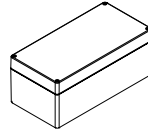
M / T 237  
M / T 238  
M / T 2381



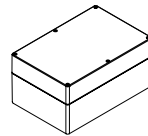
M / T 240  
M / T 2401  
M / T 241



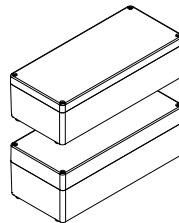
M / T 242



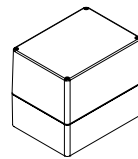
M / T 243



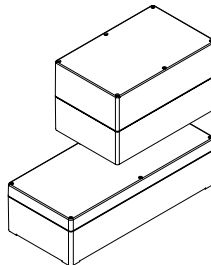
M / T 244  
M / T 245



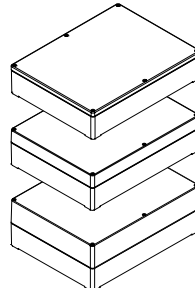
M / T 246



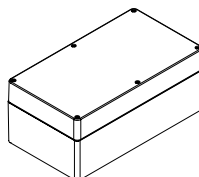
M / T 250  
M / T 251



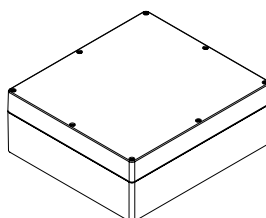
M / T 252  
M / T 253  
M / T 254



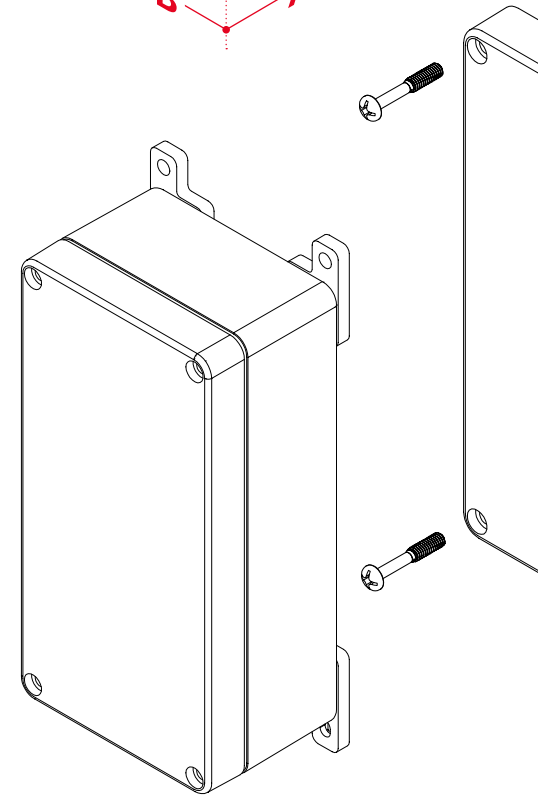
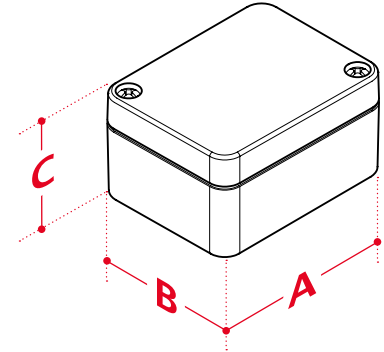
M / T 255



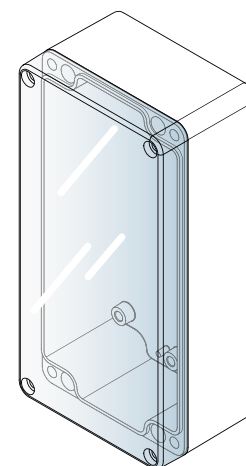
T 260



## Design types

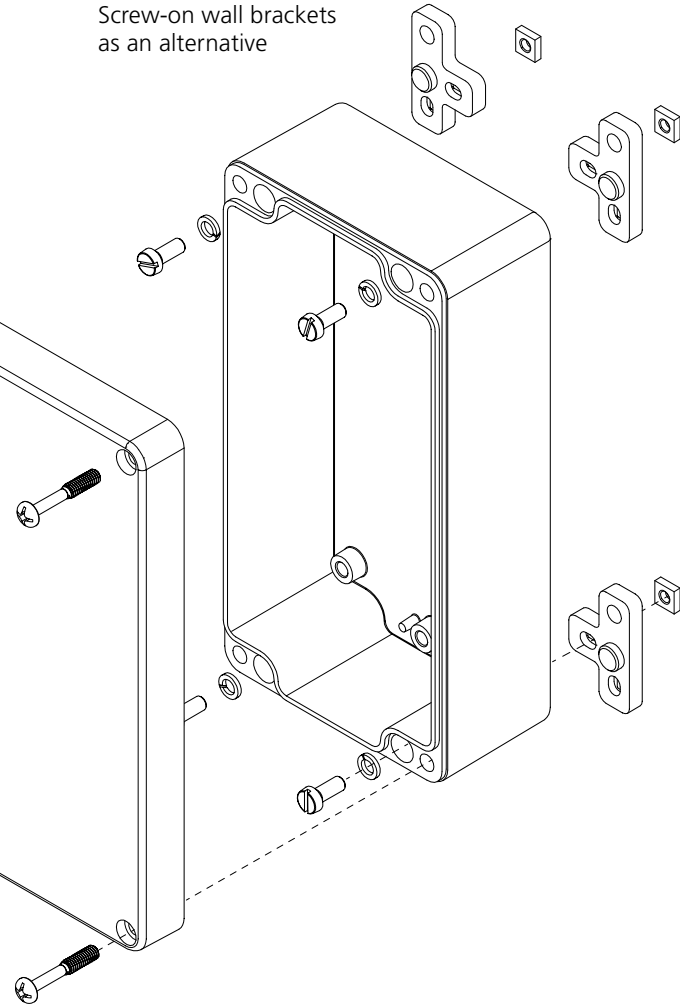


**Crystal-clear cover (G)**

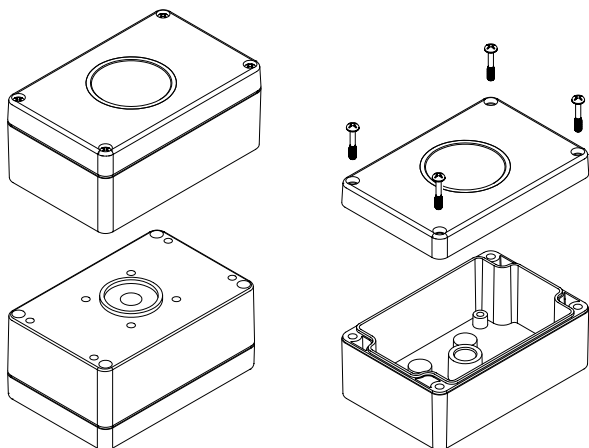


# Euromas ABS | PC | F05

Screw-on wall brackets  
as an alternative



**V 215 F05**  
Variant with F05 holder



## Dimensions

Modell	A	B	C	G	V0*
M / T 205	52	50	35	✓	✓
M / T 206	65	50	35	✓	✓
M / T 208	98	64	36.4		✓
M / T 210	82	80	55	✓	✓
M / T 215	120	80	55	✓	✓
M / T 216	120	80	60	✓	
M / T 217	122	120	55	✓	✓
M / T 219	160	80	60		
M / T 220	160	80	55	✓	✓
M / T 221	200	120	75	✓	✓
M / T 223	200	150	75	✓	✓
M / T 225	82	80	85	✓	✓
M / T 226	120	80	85	✓	✓
M / T 227	122	120	85	✓	✓
M / T 228	122	120	105	✓	✓
M / T 230	120	80	90		
M / T 231	160	80	85	✓	✓
M / T 235	160	80	90		✓
M / T 237	200	120	90	✓	
M / T 238	160	120	90	✓	✓
M / T 2381	160	120	75	✓	
M / T 240	250	160	90	✓	
M / T 2401	240.3	160.3	90	✓	✓
M / T 241	250	160	119		
M / T 242	240.5	120	100.5	✓	✓
M / T 243	240.3	160.3	120	✓	
M / T 244	340	150	100	✓	
M / T 245	340	150	120		
M / T 246	160	120	140	✓	
M / T 250	250	160	150		
M / T 251	360	160	100		
M / T 252	300	230	65		
M / T 253	300	230	85	✓	
M / T 254	300	230	110	✓	
M / T 255	360	200	149.5	✓	
T 260	360	400	150		
V 215 F05...	120	80	55		✓

\* V0 = version using UL 94 V0 enclosure material

## Accessories



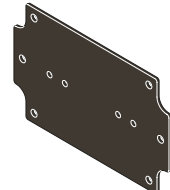
Knurled screws / Rubber feet



DIN rails  
TH 15, G 32, TH 35



Mast mounting



Mounting panels in different versions

## The product advantages



The glassbead-reinforced enclosure material provides especially high mechanical stability. SV version with quick-release fastener on request.



The tension range of the moulded-on cable glands is 8-10 mm.



Euromas Polymas has up to four moulded-on cable glands. This ensures that additional processing and mounting are unnecessary.



SV version with quick-release fastener on request.



G version with crystal-clear lid on request.



**Quick-Finder:**  
[www.bopla.de/38](http://www.bopla.de/38)

## Examples of use





**BOPLA**

A Phoenix Mecano Company

# Euromas Polymas

Industry



## Colour:

● Silver grey, similar to RAL 7001

Special colours on request

## Protection class:

IP65 / DIN EN 60529; higher protection class on request

## Material:

Enclosure: PA 6-GB 30

Seal: CR

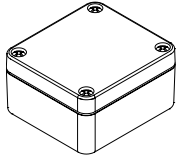
For details see technical information.



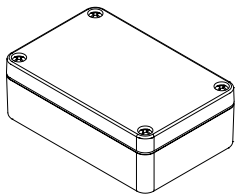


## Enclosure sizes

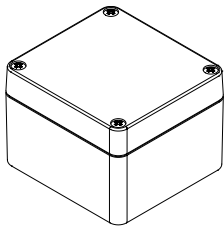
PK 101



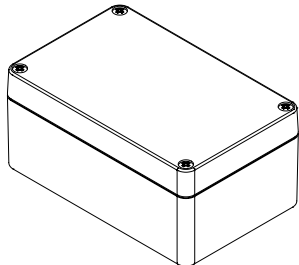
PK 102



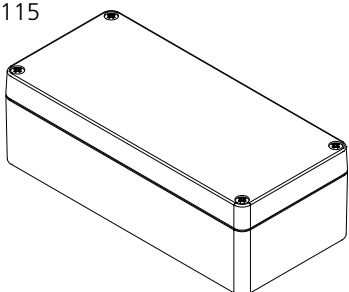
PK 105



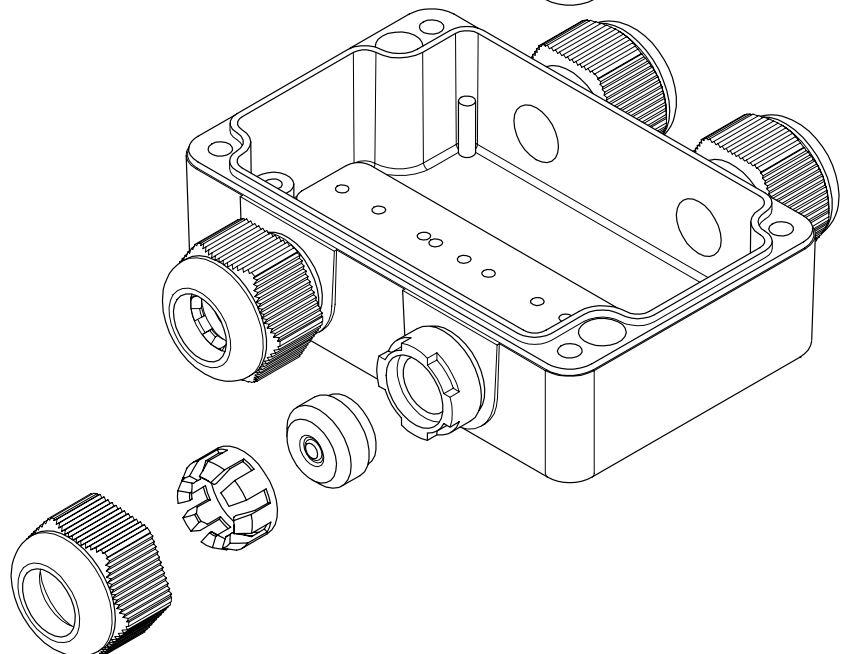
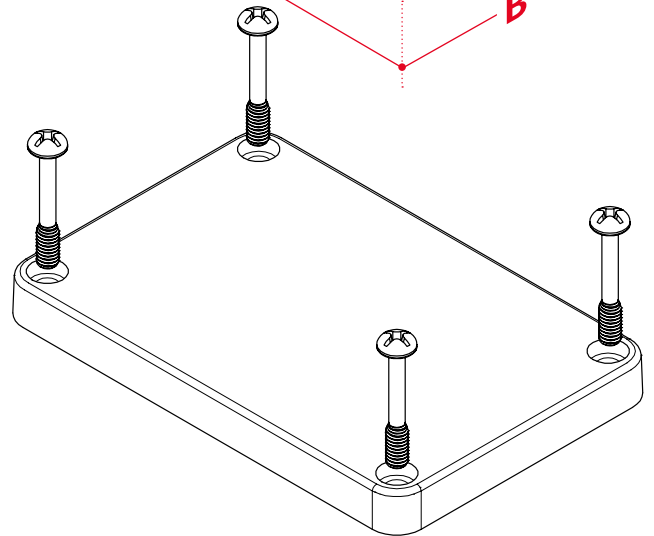
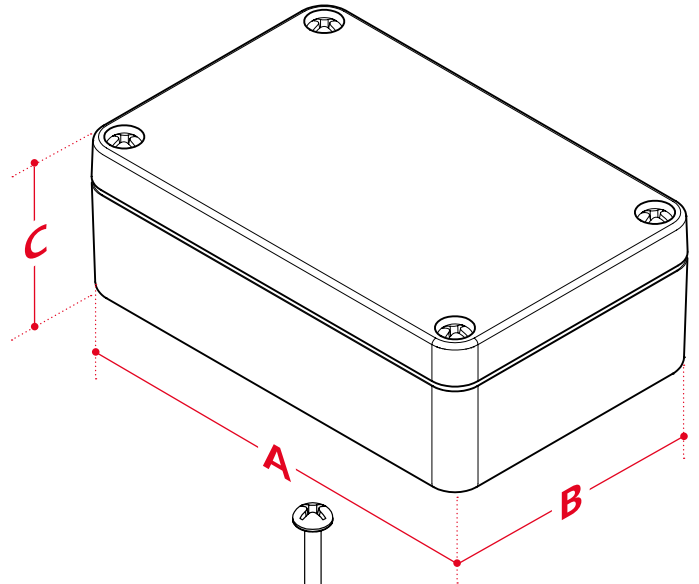
PK 110



PK 115



## Design types





**BOPLA**

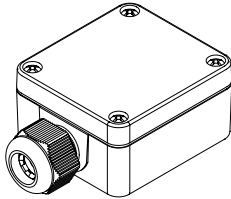
A Phoenix Mecano Company

Industry

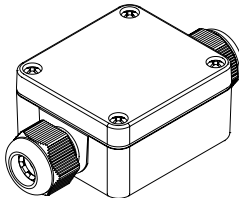
# Euromas Polymas

## Cable glands

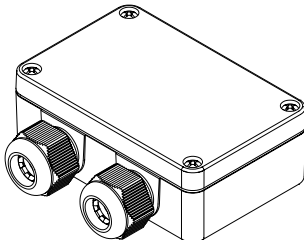
1 moulded-on cable gland  
on PK 101-111



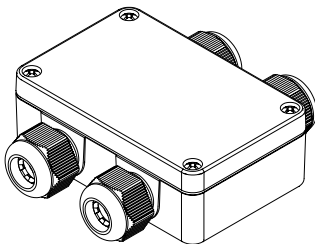
2 moulded-on cable glands  
on PK 101-211



2 moulded-on cable glands on  
PK 102-211



4 moulded-on cable glands  
on PK 102-411



## Dimensions

Model	A	B	C
PK 101...	58	64	34
PK 102...	98	64	34
PK 105...	75	80	57
PK 110...	125	80	57
PK 115...	175	80	57

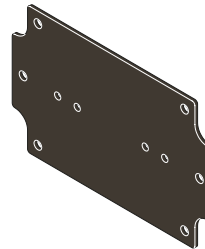
## Accessories



DIN rails for PK 105 - 115



Mastbefestigung



Mounting panels in different versions

## The product advantages



Polyester Euromas industrial enclosures are resistant to a large number of chemicals. This means that they are ideal for use in harsh outdoor environments.



When fitted with an optional silicone lid seal, the enclosure provides temperature resistance of up to 150°C.



Polyester has a much higher level of mechanical stability than ABS or PC, but is considerably lighter than aluminium and has insulating properties.



The enclosure can be fitted to the wall by means of the screw channels in the base or with wall brackets.



The enclosure screws are made of non-rusting stainless steel.



**Quick-Finder:**  
[www.bopla.de/04](http://www.bopla.de/04)

### Examples of use





**BOPLA**

A Phoenix Mecano Company

# Euromas Polyester

Industry



## Colour:

● Squirrel grey, similar to RAL 7000

Special colours on request

## Protection class:

IP66 / DIN EN 60529; higher protection class on request

## Material:

Enclosure: UP-GF 25-30%

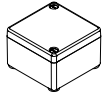
Seal: PU foamed

For details see technical information.

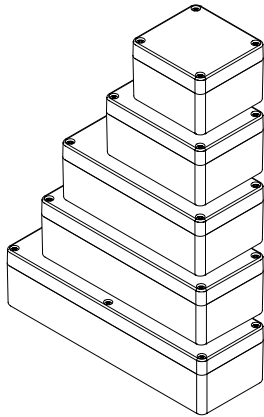


## Enclosure sizes

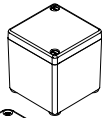
P 303



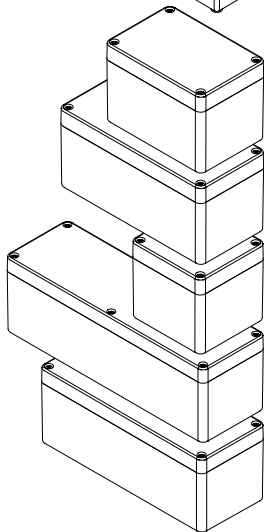
P 305  
P 311  
P 316  
P 319  
P 322



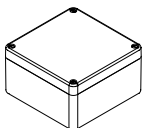
P 323



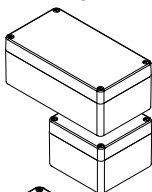
P 324  
P 325  
P 326  
P 327  
P 329



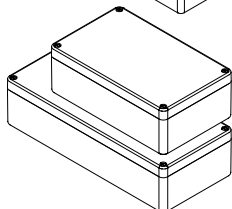
P 330



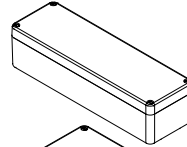
P 331  
P 332



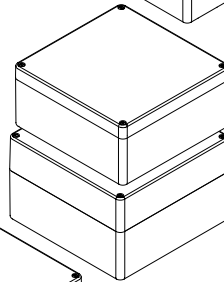
P 333  
P 334



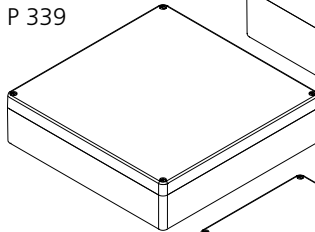
P 336



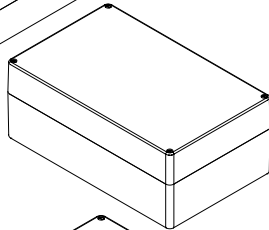
P 337  
P 338



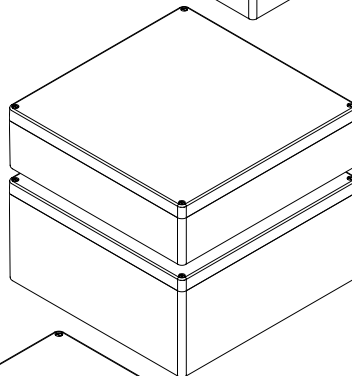
P 339



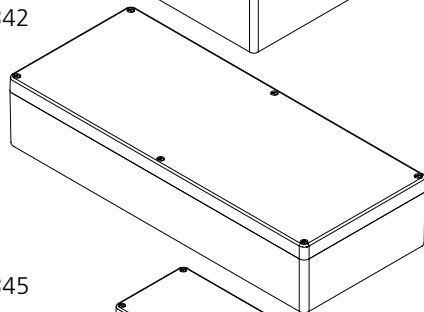
P 340



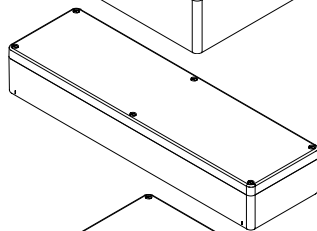
P 341  
P 3412



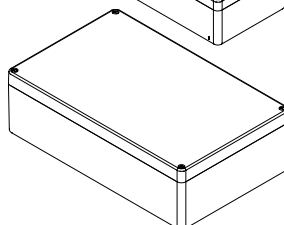
P 342



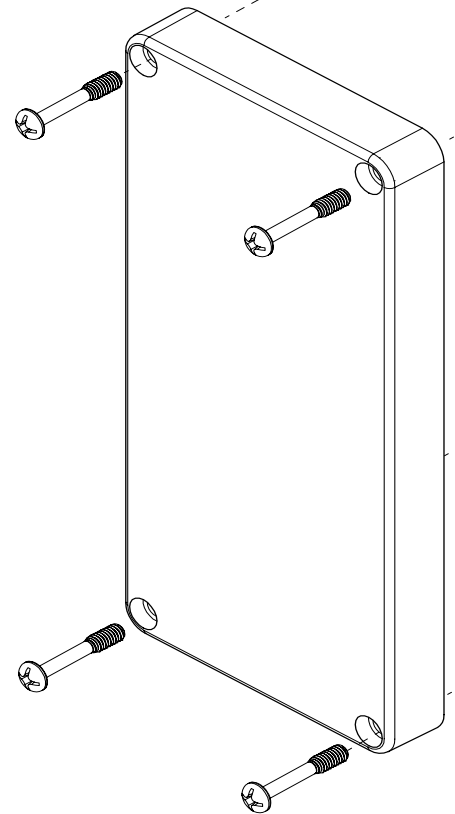
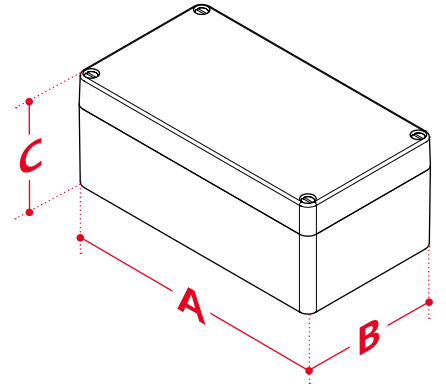
P 345



P 355



## Design types



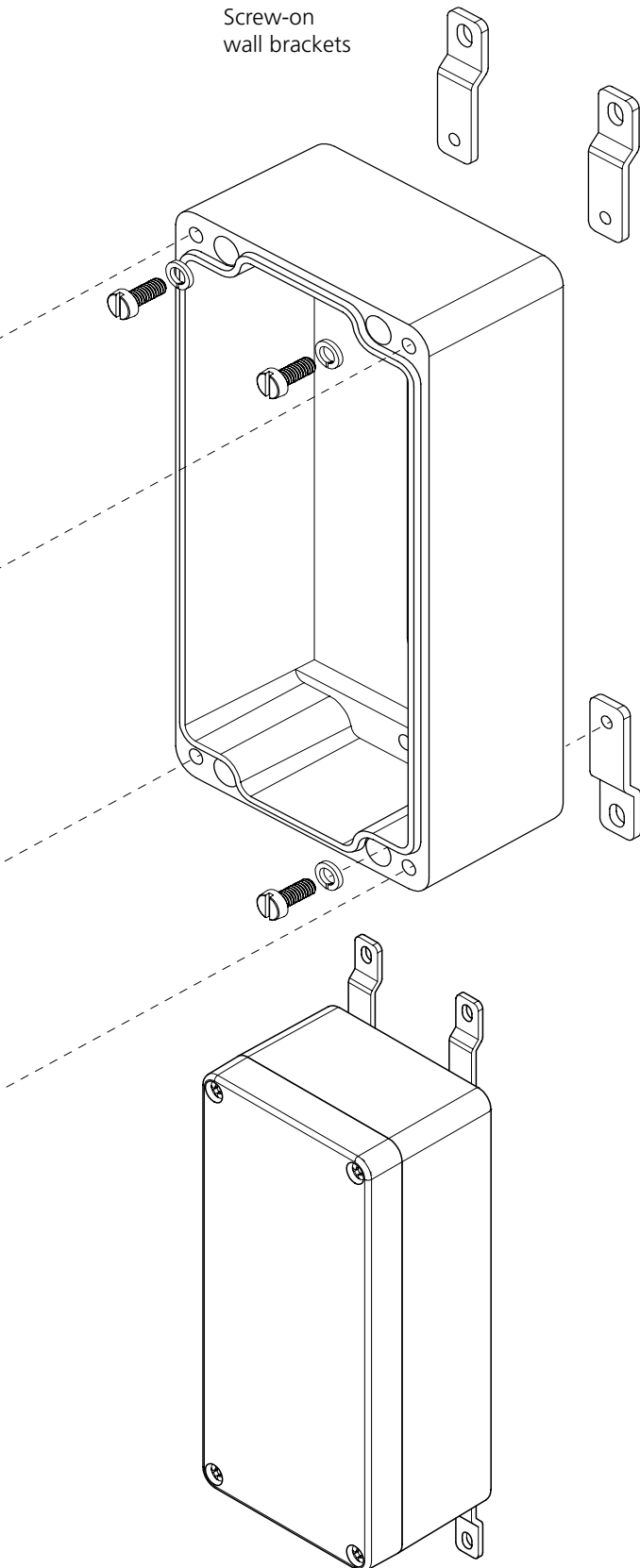


**BOPLA**

A Phoenix Mecano Company

# Euromas Polyester

Industry



## Dimensions

Model	A	B	C	SIL*
P 303	55	55	37.5	
P 305	80	75	56.5	✓
P 311	110	75	56.5	✓
P 316	160	75	56.5	✓
P 319	190	75	56.5	✓
P 322	230	75	56.5	✓
P 323	55	55	59	✓
P 324	110	75	75.5	✓
P 325	160	75	75.5	✓
P 326	80	75	75.5	✓
P 327	230	75	75.5	✓
P 329	190	75	75.5	✓
P 330	160	160	91	✓
P 331	220	120	91	✓
P 332	122	120	91	✓
P 333	260	160	91	✓
P 334	360	160	91	✓
P 336	320	100	81	✓
P 337	255	250	121	✓
P 338	255	250	161	✓
P 339	360	360	90.8	✓
P 340	400	250	161	✓
P 341	400	405	121	✓
P 3412	400	405	201	✓
P 342	600	250	121	✓
P 345	560	160	91	✓
P 355	400	250	121	✓

\*SIL = with silicone lid seal

## Accessories



Sealed capstan-headed screws



Earthing bar with terminal clamp



Wall brackets screw-on at rear



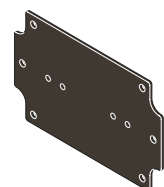
Set of hinges



DIN rails  
TH 15, G 32, TH 35



Mast mounting



Mounting panels in different versions



## The product advantages



With its modern design, Bocube Aluminium sets new design trends in the diecast enclosure sector. If required, the colour of the powder coating can be selected to match the application. Bocube aluminum - protects your electronics even in particularly harsh environments. NEW: discover the screwable version now!



The high protection class of IP69 is achieved with only two lid screws. As with all others, they are mounted invisibly under the design covers.



The integrated hinge ensures easy access to the interior, and wiring between the modules in the lid and base is perfectly protected.



The base has a moulded-on insertion opening for factory-activated pressure compensation membranes.



All the enclosure components are made of metal, so they are ideal for use in harsh environmental conditions



**Quick-Finder:**  
[www.bopla.de/00](http://www.bopla.de/00)

### Examples of use

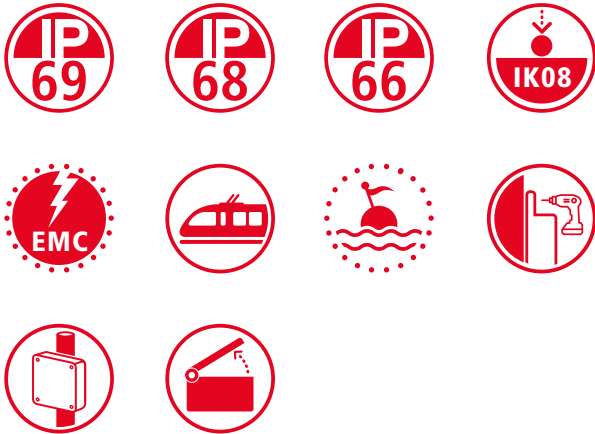




**BOPLA**

A Phoenix Mecano Company

# Bocube Alu



## Colour:

● Light grey, similar to RAL 7035

● Graphite grey, similar to RAL 7024

Special colours on request

## Protection class:

IP66 / IP68 (1.2 m - 2 h) / IP 69 DIN EN 60529;

Higher protection class on request

## Material:

Enclosure: GD Al Si 12

Seal: PU foamed

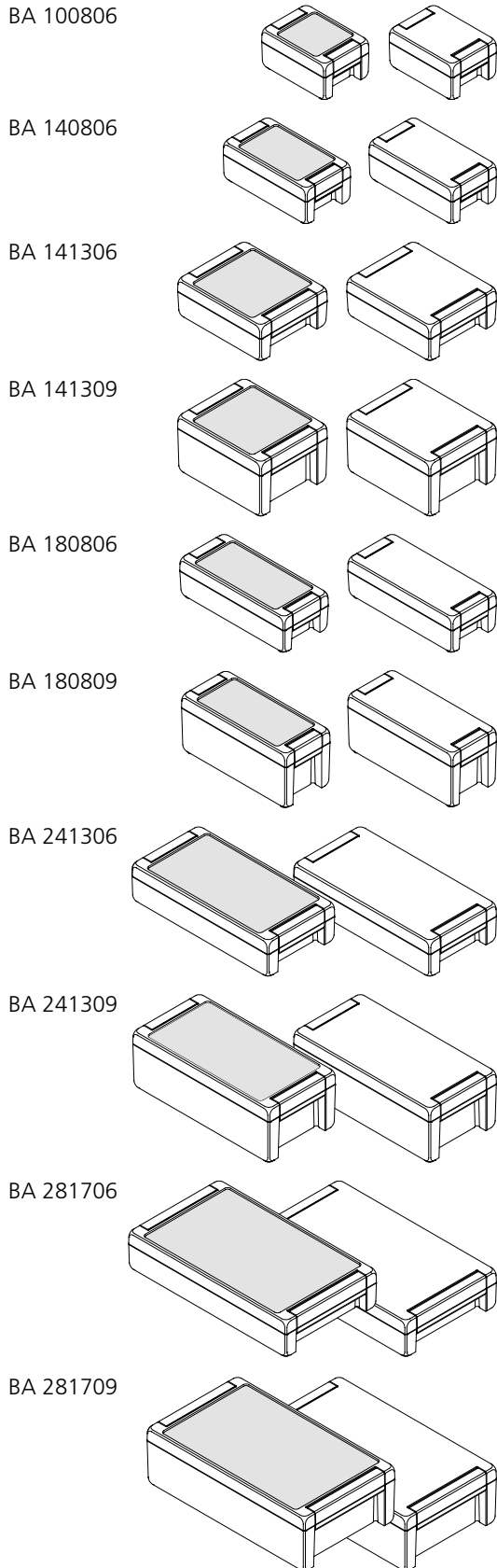
Hinges / covers: Al Mg Si 0,5

powder-coated or anodized in natural color

For details see technical information.

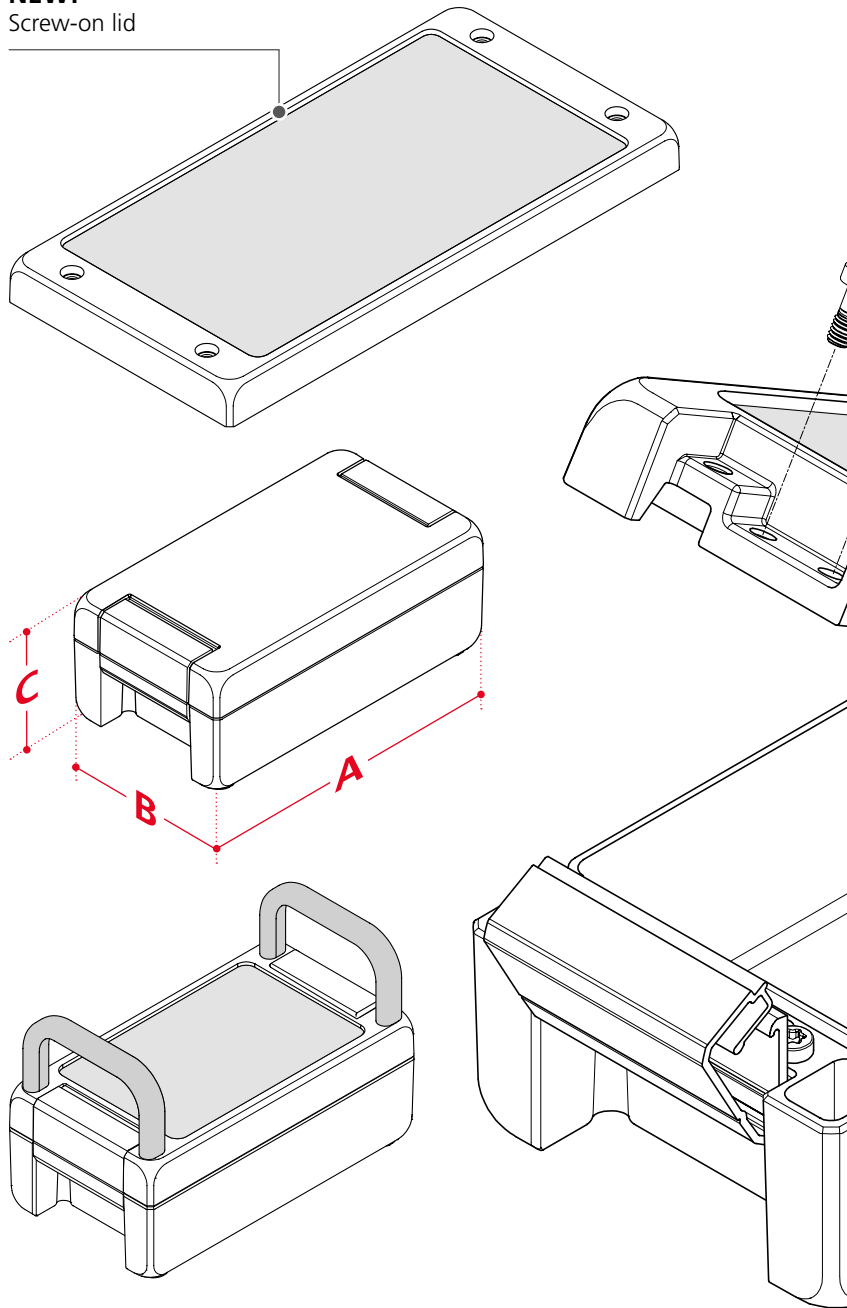


## Enclosure sizes



## Design types

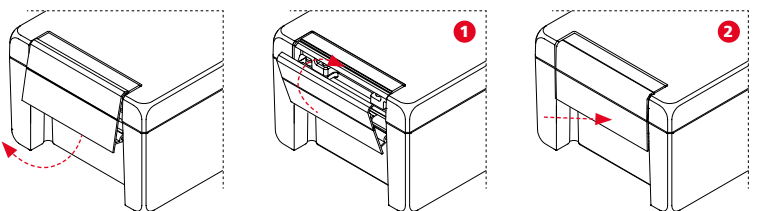
**NEW!**  
Screw-on lid



### Optional quick-release fastener

Open

Close





**BOPLA**

A Phoenix Mecano Company

Industry

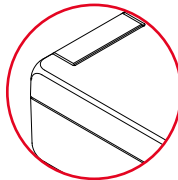
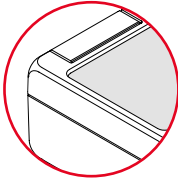
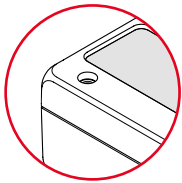
# Bocube Alu

## Lid variants

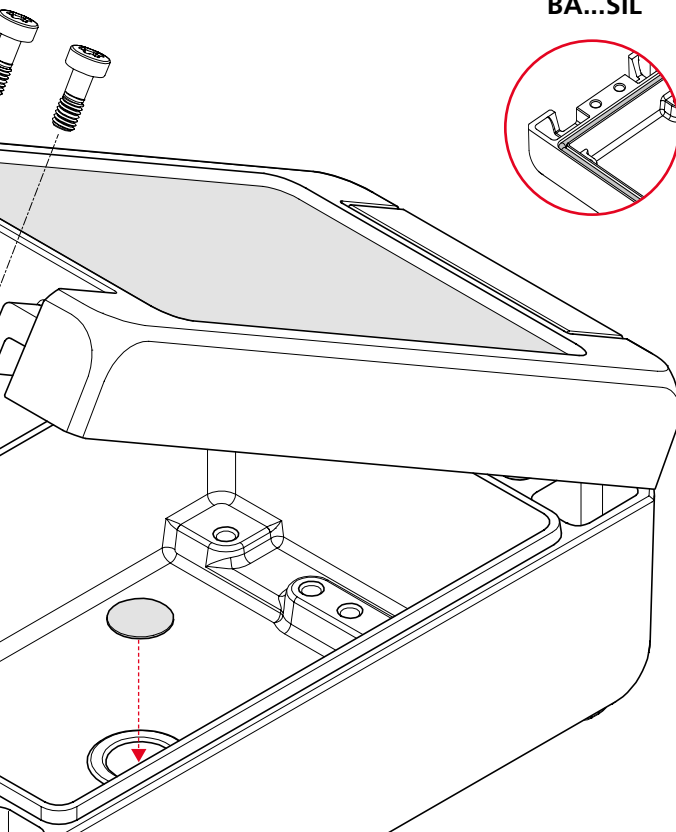
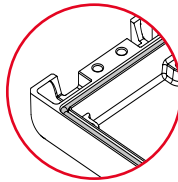
**BA-S...**

**BA...F**

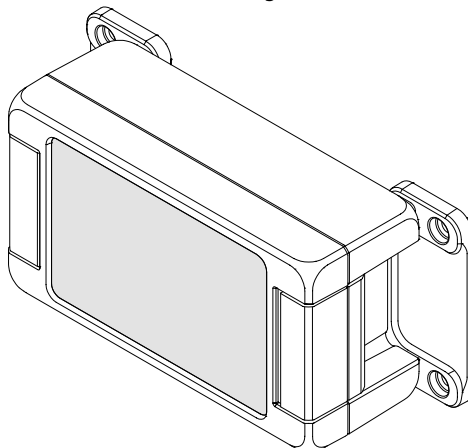
**BA...**



**BA...SIL**



**Wall brackets**  
for screwing-on from the inside



## Dimensions

Model	A	B	C	SIL*
BA 100806...	121	86	60	✓
BA 140806...	159	86	60	✓
BA 141306...	159	128	60	✓
BA 141309...	159	128	90	✓
BA 180806...	199	86	60	✓
BA 180809...	199	86	90	✓
BA 241306...	259	128	60	✓
BA 241309...	259	128	90	✓
BA 281706...	299	173	60	✓
BA 281709...	299	173	90	✓

\*SIL = with silicone lid seal

## Accessories



Wall brackets



Quick release



Set of handles



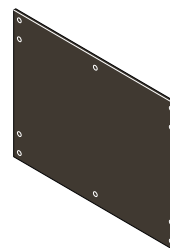
Pressure compensation membrane  
DAE



DIN rails  
TH 15, G 32, TH 35



Mast mounting



Mounting panels in different versions

## The product advantages



Euromas Alu is an especially robust classic cast aluminium industrial enclosure. If required, the colour of the powder coating can be selected to match the application.



The foamed seal ensures a high protection class. Alternatively, higher temperature resistance can be achieved with a silicone seal. On request, a special EMC version is available which ensures a conductive connection between the lid and the base.



If required, a transparent lid allows a user to see inside the enclosure.



Circuit boards and DIN rails can be mounted in the base by using pre-cut threads. Earthing screws are included as standard in the scope of delivery.



Special versions with an FO5 mounting flange for applications on actuators and valves.



**Quick-Finder:**  
[www.bopla.de/01](http://www.bopla.de/01)

## Examples of use





**BOPLA**

A Phoenix Mecano Company

# Euromas Alu | F05

Industry



## Colour:

● Silver grey, similar to RAL 7001

Special colours on request

## Protection class:

IP66 / DIN EN 60529;

Higher protection class on request

## Material:

Enclosure: G Al Si 12

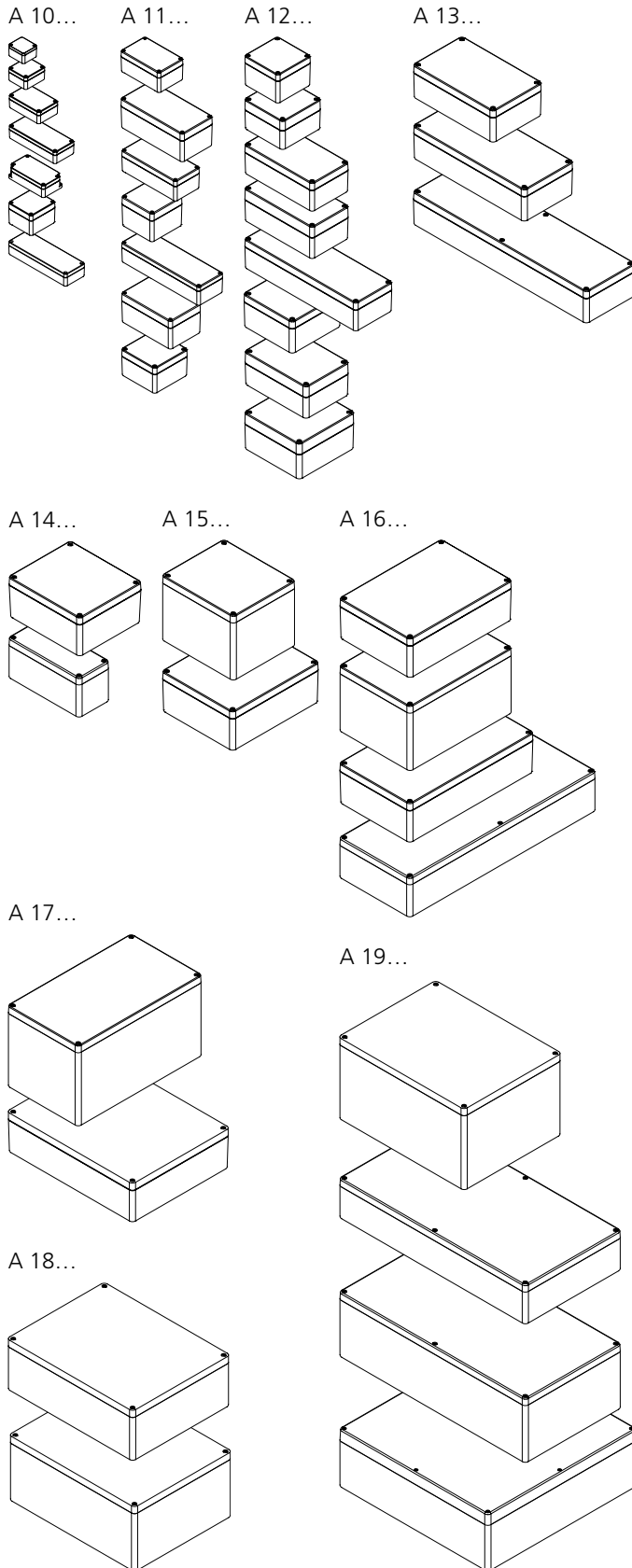
Seal: PU foamed

For details see technical information.

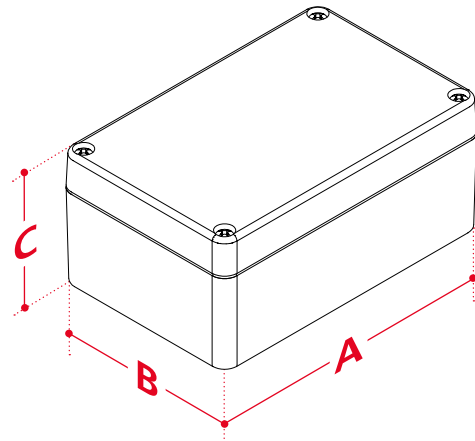




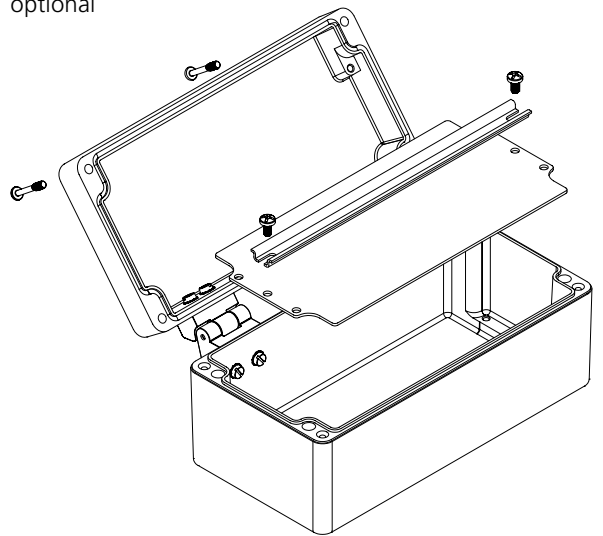
## Enclosure sizes



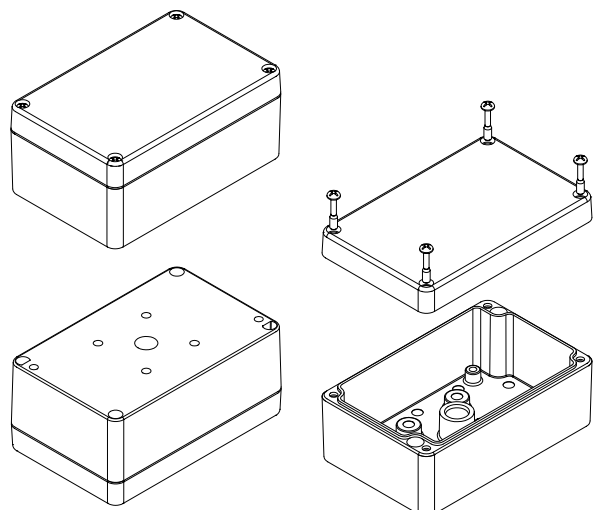
## Design types



**Variant with hinge**  
optional



**Variant with F05 holder**  
V 215 F05



# Euromas Alu | F05

## Accessories



Sealed capstan-headed screws



Hexagon socket screw (can be sealed)



Set of hinges



Wall brackets for screwing-on from the rear



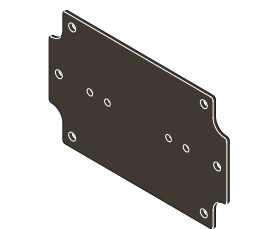
Earthing bars with mounted terminal clamps



Mast mounting



DIN rails  
TH 15, G 32, TH 35



Mounting panels  
in different versions

## Dimensions

Model	A	B	C	SIL*
A 100	50	45	30	✓
A 101	58	64	34	✓
A 102	98	64	34	✓
A 103	150	64	34	✓
A 104	115	64	34.5	✓
A 105	75	80	57	✓
A 106	185.5	64	34.5	✓
A 110	125	80	57	✓
A 110 F05	125	80	57	
A 114	200	100	81	✓
A 115	175	80	57	✓
A 116	100	100	81	✓
A 117	250	80	52	✓
A 118	160	100	81	✓
A 119	122	120	81	✓
A 120	122	120	91	✓
A 121	140	140	91	✓
A 122	220	120	81	✓
A 123	220	120	91	✓
A 124	360	120	81	✓
A 125	160	160	91	✓
A 126	200	140	91	✓
A 127	180	180	101	✓
A 130	260	160	91	✓
A 131	280	180	101	✓
A 135	360	160	91	✓
A 138	560	160	91	✓
A 140	200	230	111	✓
A 145	230	100	111	✓
A 150	200	230	180	✓
A 155	280	230	111	✓
A 160	330	230	111	✓
A 165	330	230	181	✓
A 168	400	230	111	✓
A 169	600	230	111	✓
A 170	400	230	225	✓
A 175	400	310	111	✓
A 180	400	310	141	✓
A 185	400	310	181	✓
A 190	400	310	227	✓
A 196	600	310	111	✓
A 197	600	310	181	✓
A 198	600	600	202.5	✓

\*SIL = with silicone lid seal

## The product advantages



Polysafe consists of glass fibre reinforced polyester and provides an extremely high level of mechanical resistance to chemicals and UV irradiation. All the external components are made of plastic, which gives maximum protection against corrosion.



Easy disassembly of the door for mounting and servicing work. Internal hinges ensure high mechanical protection and stability.



A reliable locking system offers a protection class of up to IP66. Various locks are available, and the end user can replace a lock at any time.



External screw channels for direct wall mounting. Wall brackets are available as an option.



A protective cover integrated in the enclosure prevents penetration by dripping water when the door is opened



**Quick-Finder:**  
[www.bopla.de/42](http://www.bopla.de/42)





**BOPLA**

A Phoenix Mecano Company

# Polysafe

Industry



## Colour:

● Light grey, similar to RAL 7035

## Protection class:

Depending on the model up to IP66 DIN EN 60529  
Impact resistance IK10 according to IEC 62262

## Material:

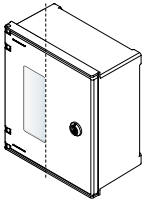
Enclosure: glass fiber reinforced polyester  
Seal: PU foamed

For details see technical information.

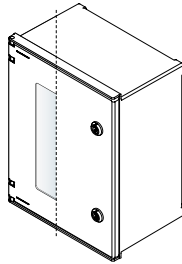


## Enclosure sizes

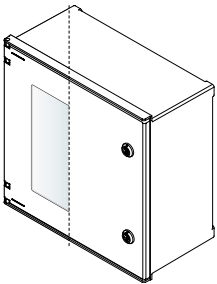
PS 321



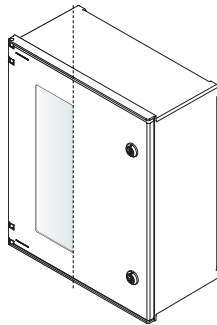
PS 432



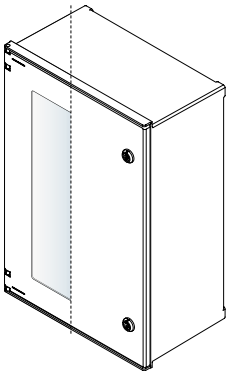
PS 442



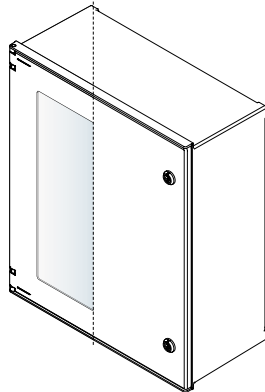
PS 542



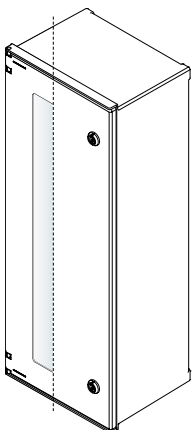
PS 642



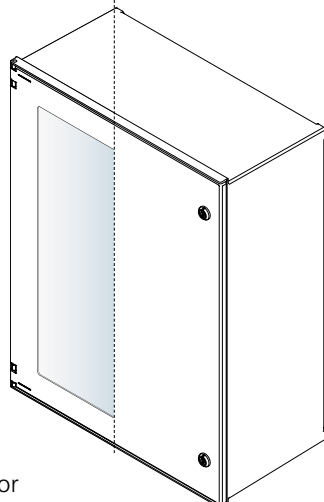
PS 652



PS 832

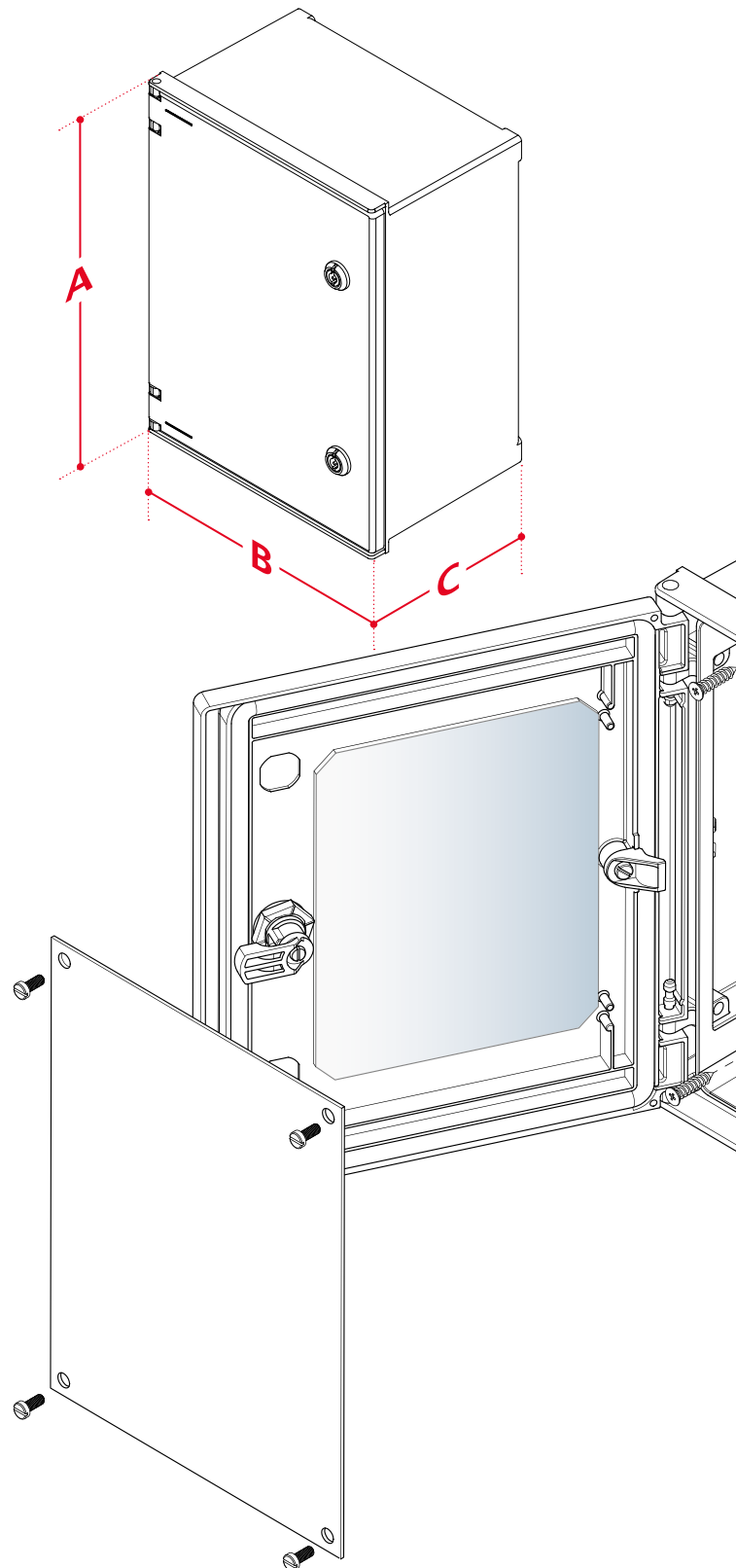


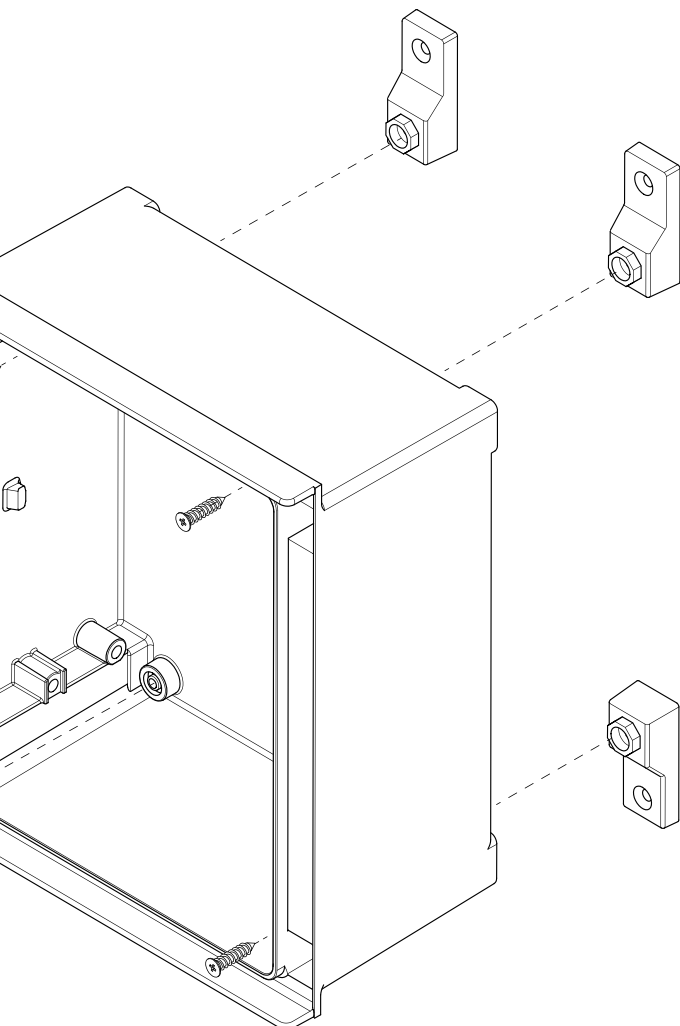
PS 862



The door is available closed or with an viewing window (-T).

## Design types





## Dimensions

Model	A	B	C
PS 321(-T)	300	250	140
PS 432(-T)	400	300	200
PS 442(-T)	400	400	200
PS 542(-T)	500	400	200
PS 642(-T)	600	400	230
PS 652(-T)	600	500	230
PS 832(-T)	800	300	230
PS 863(-T)	800	600	300

## Accessories



Inner door with lock



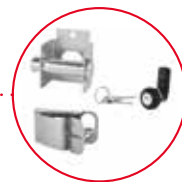
Metal frame for installation devices acc. to DIN



Door locking device



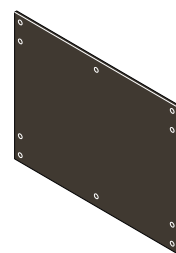
Various locks



Wall brackets



Mast mounting



Mounting panels in different versions