

# Apacer

The Most **Reliable**  
Storage For Industries

## Industrial CF6A-M



## Industrial CF6A-M

### Overview

Apacer industrial CF6A-M card is compliant with the CFA 6.0 specifications. Apacer adopts the standard 50-pin connector and MLC chip lower cost and higher capacity for the card. It is available in capacities from 8GB to 64GB. The data transfer mode is up to PIO Mode 6 , Multiword DMA Mode 4 ,Ultra DMA Mode 7 , PCMCIA UDMA Mode 7, with the sequential read/write speed reaching as fast as 115/75 MB/sec. To help data stay correct, this CF6A-M memory card also supports 72-bit ECC function, wear-leveling function and S.M.A.R.T. (Self-Monitoring, Analysis, and Reporting Technology), thereby substantially enhancing product reliability.



\*The actual available memory on the device is less than what is listed on the package. This is due to small discrepancies in file formats and algorithms used by various operating systems. In addition, a portion of memory space is reserved for system files and data sectors for better performance.

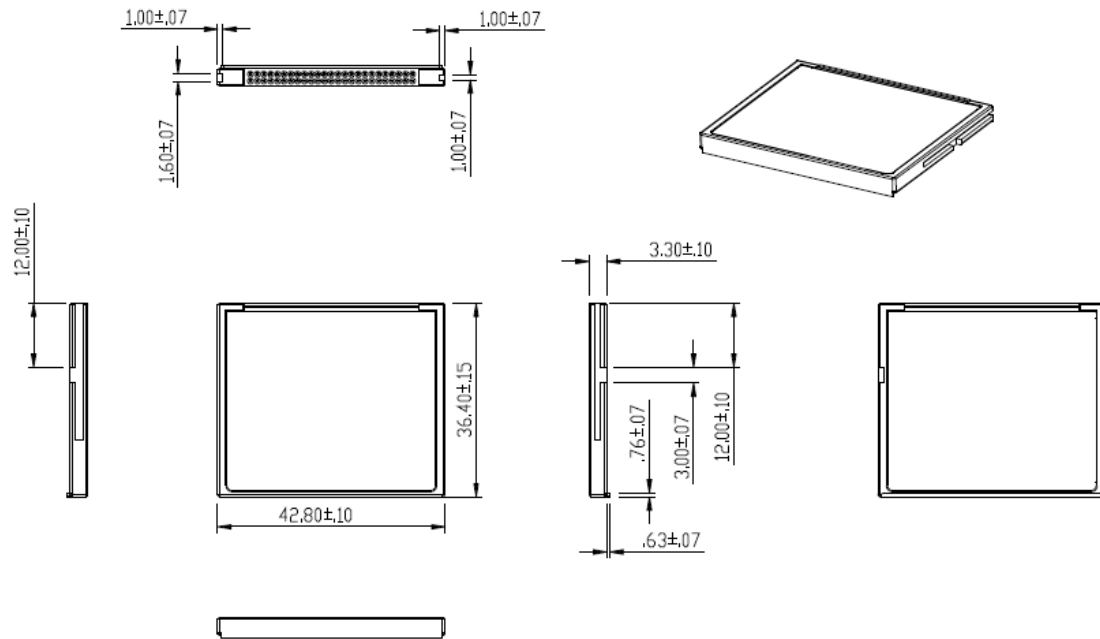
### Feature

- Compliant with CFA 6.0 specifications
- Lock switch design for write-protection (Optional)
- Built-in ATA Secure Erase and S.M.A.R.T. Functions
- Advanced wear-leveling and Block Management
- Intelligent Power Failure Recovery
- Wide Temp.

## Specifications

<b>Model</b>	Industrial CF6A-M
<b>Interface</b>	PC Card Memory Mode; PC Card I/O Mode; True IDE Mode
<b>Connector</b>	50-pin
<b>Form Factor</b>	CompactFlash Type I
<b>Transfer Mode</b>	PIO Mode 6 , Multiword DMA Mode 4 , Ultra DMA Mode 7 , PCMCIA UDMA Mode 7
<b>NAND Flash Type</b>	MLC
<b>Capacity</b>	8GB~64GB
<b>Sequential Read Performance (MB/sec)</b>	Up to 115
<b>Sequential Write Performance (MB/sec)</b>	Up to 75
<b>ECC Engine</b>	Built-in 72-bit per 1K bytes BCH ECC
<b>Standard Operating Temperature ( °C )</b>	0 ~ + 70
<b>Extended Operating Temperature ( °C )</b>	-40 ~ + 85
<b>Storage Temperature ( °C )</b>	-40 ~ + 85
<b>H/W Write Protect</b>	Optional
<b>Shock</b>	Operation: 50G, 11ms Non-operation: 1500G, 0.5ms
<b>Vibration</b>	Operation: 7.69 Grms, 20~2000 Hz/random (compliant with MIL-STD-810G) Non-operation: 4.02 Grms, 15 ~ 2000 Hz/random
<b>Operating Voltage</b>	3.3 V / 5.0 V ± 5%
<b>Power Consumption</b>	Operating Voltage: 3.3V Active mode: 255 mA / Standby mode: 10 mA Operating Voltage: 5.0V Active mode: 260 mA / – Standby mode: 10 mA
<b>Dimension (L x W x H )</b>	36.4mm x 42.8mm x 3.3mm
<b>MTBF (hours)</b>	>1,000,000

## Mechanical Specification



Unit: mm

For more information,  
contact your Apacer representative

### Global Presence

Taiwan (Headquarters)  
Apacer Technology Inc.  
Tel: +886-2-2267-8000  
Fax: +886-2-2267-2261

Japan  
Apacer Technology Corp.  
Tel: +81-3-5419-2668  
Fax: +81-3-5419-0018

Europe  
Apacer Technology B.V.  
Tel: +31-40-267-0000  
Fax: +31-40-290-0686

India  
Apacer Technologies Pvt. Ltd.  
Tel: +91-80-41529061~3  
Fax: +91-80-41700215

U.S.A.  
Apacer Memory America, Inc.  
Tel: +1-408-518-8699  
Fax: 1-510-249-9551

Shanghai  
Apacer Electronic(Shanghai)  
Co., Ltd.  
Tel: +86-21-6228-9939