

# Apacer

The Most **Reliable**  
Storage For Industries

**CH710-CF**



## CH710-CF

### Overview

Apacer industrial CH710-CF card is compliant with the CF 6.1 standard compatible specifications. Apacer adopts the standard 50-pin connector and MLC chip with higher capacity for the card. It is available in capacities from 8GB to 64GB. The data transfer mode is up to PIO Mode 6, Multiword DMA Mode 4, Ultra DMA Mode 6, with the sequential read/write speed reaching as fast as 115/80 MB/sec. To help data stay correct, this CH710-CF memory card also supports 96-bit ECC function, wear-leveling function, S.M.A.R.T. (Self-Monitoring, Analysis, and Reporting Technology) and Supply voltage power-down detection for full power-down robustness, thereby substantially enhancing product reliability.



\*The actual available memory on the device is less than what is listed on the package. This is due to small discrepancies in file formats and algorithms used by various operating systems. In addition, a portion of memory space is reserved for system files and data sectors for better performance.

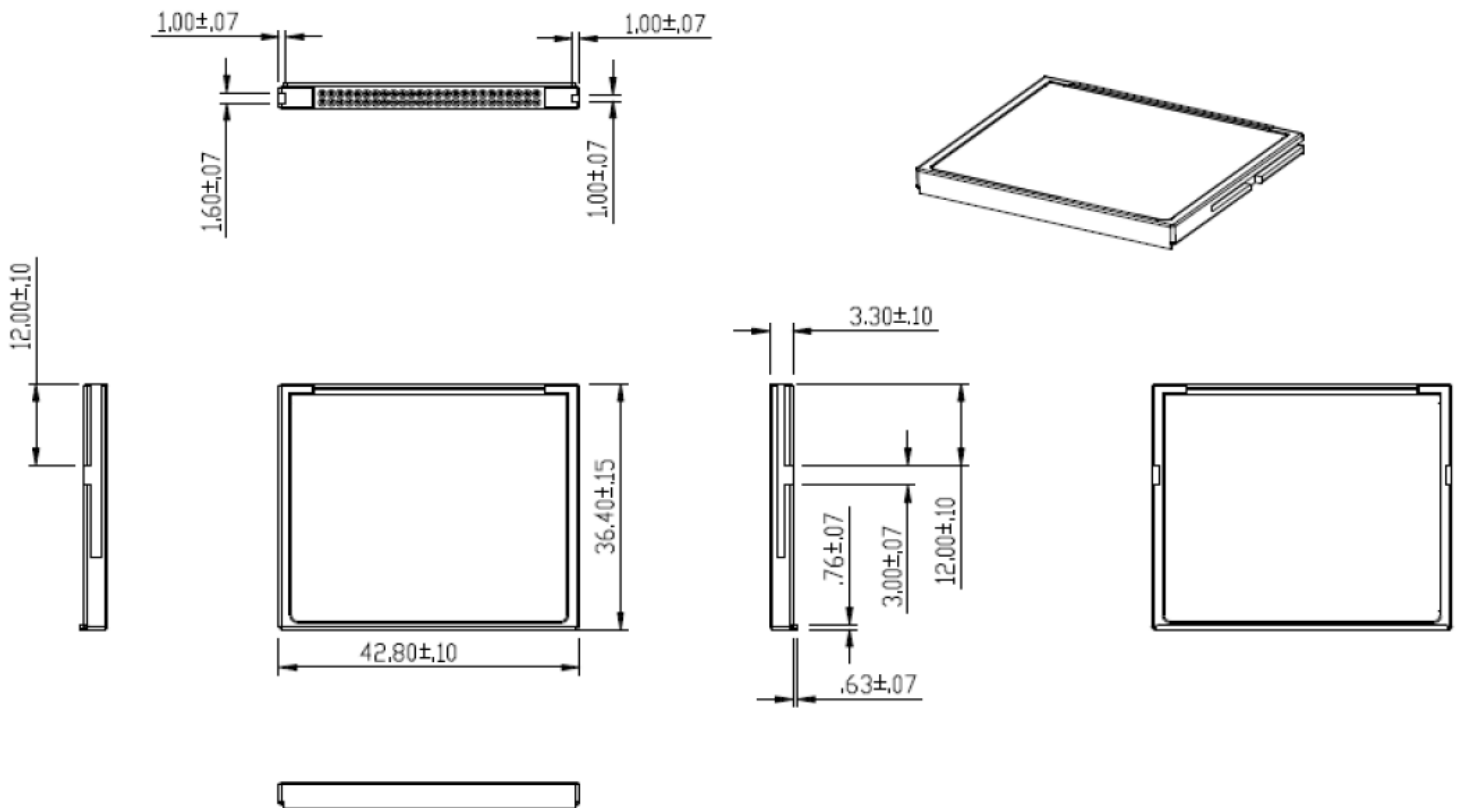
## Feature

- Global Wear Leveling Technology
- Built-in BCH ECC capable of correcting up to 96 bits in 1KB data
- S.M.A.R.T. support
- Flash Block Management
- Power Failure Management
- Page Mapping

## Specifications

<b>Model</b>	CH710-CF
<b>Interface</b>	PC Card Memory Mode; PC Card I/O Mode; True IDE Mode
<b>Connector</b>	50-pin
<b>Form Factor</b>	CompactFlash Type I
<b>NAND Flash Type</b>	3D TLC (BiCS3)
<b>Transfer Mode</b>	PIO Mode 6, Multiword DMA Mode 4, Ultra DMA Mode 6
<b>Capacity</b>	8GB ~ 64GB
<b>External DRAM</b>	No
<b>Sequential Read Performance (MB/sec)</b>	Up to 115
<b>Sequential Write Performance (MB/sec)</b>	Up to 80
<b>ECC Engine</b>	Built-in BCH ECC capable of correcting up to 96 bits in 1KB data
<b>IOPs (4K Random Write)</b>	Up to 2100
<b>Standard Operating Temperature ( °C )</b>	0 ~ + 70
<b>Extended Operating Temperature ( °C )</b>	-40 ~ + 85
<b>Storage Temperature ( °C )</b>	-40 ~ + 100
<b>H/W Write Protect</b>	No
<b>Thermal Sensor</b>	No
<b>Shock</b>	Operation: 50G, 11ms Non-operation: 1500G, 0.5ms
<b>Vibration</b>	Operation: 7.69 Grms, 20~2000 Hz/random (compliant with MIL-STD-810G) Non-operation: 4.02 Grms, 15~2000 Hz/random (compliant with MIL-STD-810G)
<b>Operating Voltage</b>	3.3 V / 5.0 V ± 5%
<b>Power Consumption</b>	Operating Voltage: 3.3V – Active mode: 185 mA – Standby mode: 10 mA Operating Voltage: 5.0V – Active mode: 190 mA – Standby mode: 10 mA
<b>Dimension (L x W x H )</b>	36.4 x 42.8 x 3.3 mm
<b>MTBF (hours)</b>	>1,000,000

## Mechanical Specification



For more information,  
contact your Apacer representative

## Global Presence

Taiwan (Headquarters)  
Apacer Technology Inc.  
Tel: +886-2-2267-8000  
Fax: +886-2-2267-2261

Europe  
Apacer Technology B.V.  
Tel: +31-40-267-0000  
Fax: +31-40-290-0686

U.S.A.  
Apacer Memory America, Inc.  
Tel: +1-408-518-8699  
Fax: 1-510-249-9551

Shanghai  
Apacer Electronic (Shanghai) Co., Ltd.  
Tel: +86-21-6228-9939

Japan  
Apacer Technology Corp.  
Tel: +81-3-5419-2668  
Fax: +81-3-5419-0018

India  
Apacer Technologies Pvt. Ltd.  
Tel: +91-80-41529061~3  
Fax: +91-80-41700215